

Bulk Metal® Foil Technology Power Current Sensing Resistors with TCR of 5 ppm/°C and Power Rating up to 7 W



Any value available within resistance range

These Bulk Metal® Foil power current sensing resistors are direct replacements for certain wirewound devices but without the inductive characteristics of wirewounds. The anodized aluminum housing is drilled and countersunk to accept flat head screws for thermal mounting. Because the device is internally Kelvin connected, there is no restriction on the lead lengths as would be the case if this were a two terminal device. Frequently used in YIG oscillator circuits these devices contribute to superior frequency stability.

FEATURES

- Temperature Coefficient of Resistance (TCR):
± 5 ppm/°C (Above 10 Ω)
± 10 ppm/°C (Below 10 Ω)
- Tolerance: to ± 0.01 %
- Resistance Range: 1 Ω to 100 kΩ
- Electrostatic Discharge (ESD) above 25 000 V
- Non Inductive, Non Capacitive Design
- Rise Time: 1.0 ns without ringing
- Current Noise: < - 40 dB
- Thermal EMF: < 0.05 μV/°C typical
- Voltage Coefficient: < 0.1 ppm/V
- Non-Inductive: < 0.08 μH
- Non Hot Spot Design
- Terminal Finishes available: Lead (Pb)-free
Tin/lead alloy
- Prototype Samples available from 48 h. Please contact foil@vishaypg.com
- For better performances, please contact us



RoHS*
COMPLIANT

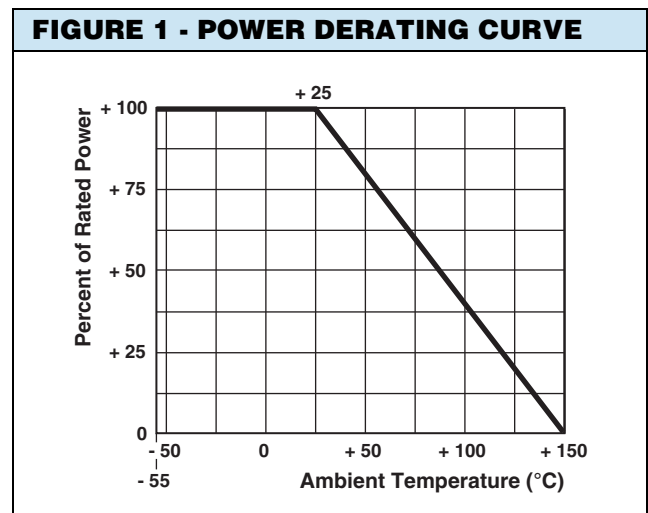
TABLE 1 - SPECIFICATIONS

MODEL NUMBER	RESISTANCE RANGE (Ω)	TOLERANCE TO	MAXIMUM WORKING VOLTAGE	POWER ¹⁾ RATING at 25 °C
VPR5	1 to 10	± 0.1 %	300 V	5 W
	> 10 to 100	± 0.05 %		
	> 100 to 100K	± 0.01 %		
VPR7	1 to 10	± 0.1 %	300 V	7 W
	> 10 to 100	± 0.05 %		
	> 100 to 100K	± 0.01 %		

Note

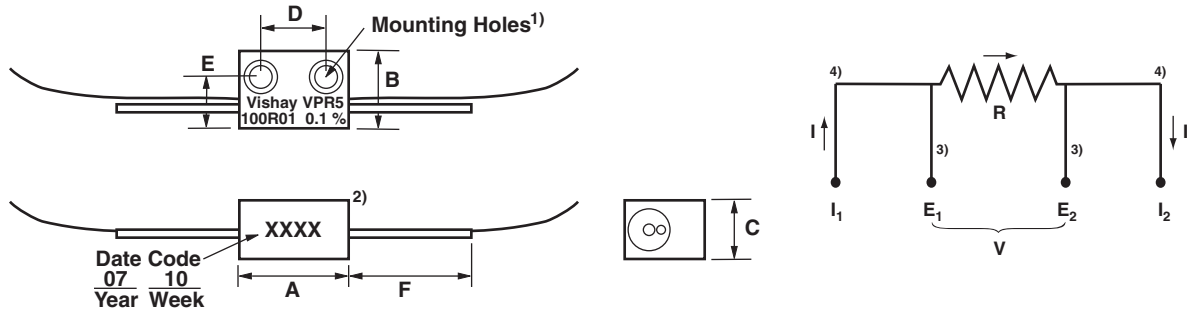
1. Mounted on aluminum chassis (6" L x 4" W x 2" H x 0.040" Th) per MIL-R-39009/1B.

FIGURE 1 - POWER DERATING CURVE



* Pb containing terminations are not RoHS compliant, exemptions may apply

TABLE 2 - STANDARD IMPRINTING AND DIMENSIONS



DIMENSIONS

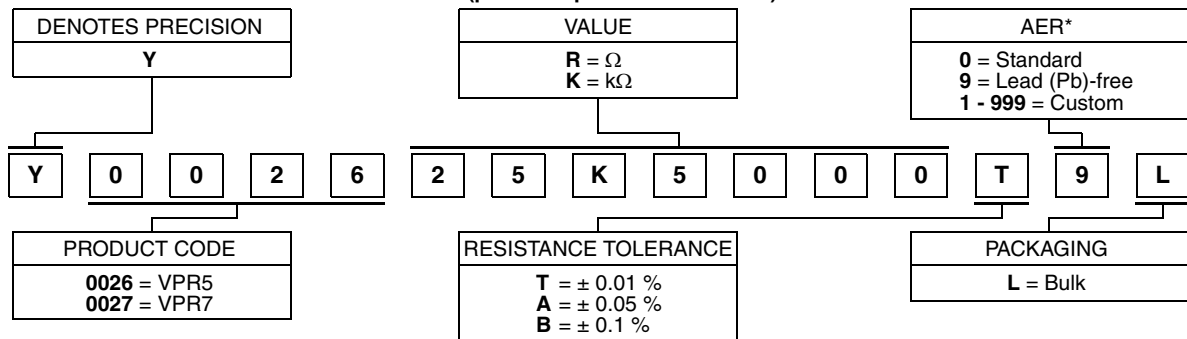
A		B		C		D		E		F (min)	
in	mm	in	mm	in	mm	in	mm	in	mm	in	mm
0.625	15.88	0.450	11.43	0.312	7.93	0.400	10.16	0.350	8.89	1.500	38.10
1.030	26.16	0.450	11.43	0.312	7.93	0.788	20.02	0.350	8.89	1.375	34.90

Notes

- #4-40 F.H. Machine Screw (Not Included)
- Anodized Aluminum Housing
- #26 AWG, Teflon Coated, 4" min.
- #20 AWG, Solder Coated Copper

TABLE 4 - GLOBAL PART NUMBER INFORMATION

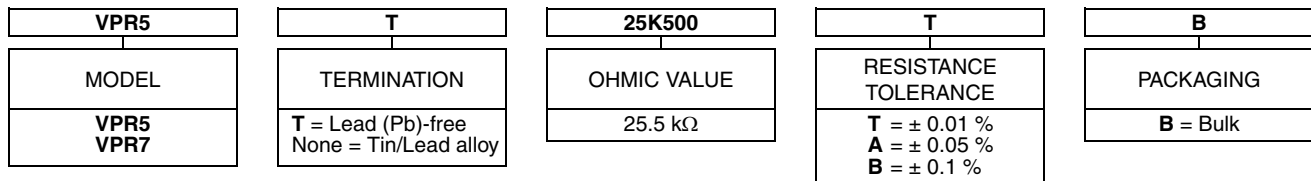
NEW GLOBAL PART NUMBER: Y002625K5000T9L (preferred part number format)



FOR EXAMPLE: ABOVE GLOBAL ORDER Y0026 25K5000 T 9 L:

TYPE: VPR5
 VALUE: 25.5 kΩ
 ABSOLUTE TOLERANCE: ± 0.01 %
 TERMINATION: Lead (Pb)-free
 PACKAGING: Bulk

HISTORICAL PART NUMBER: VPR5T 25K500 T B (will continue to be used)



Note

* For non-standard requests, please contact Application Engineering.

Disclaimer

ALL PRODUCTS, PRODUCT SPECIFICATIONS AND DATA ARE SUBJECT TO CHANGE WITHOUT NOTICE.

Vishay Precision Group, Inc., its affiliates, agents, and employees, and all persons acting on its or their behalf (collectively, "Vishay Precision Group"), disclaim any and all liability for any errors, inaccuracies or incompleteness contained herein or in any other disclosure relating to any product.

The product specifications do not expand or otherwise modify Vishay Precision Group's terms and conditions of purchase, including but not limited to, the warranty expressed therein.

Vishay Precision Group makes no warranty, representation or guarantee other than as set forth in the terms and conditions of purchase. **To the maximum extent permitted by applicable law, Vishay Precision Group disclaims (i) any and all liability arising out of the application or use of any product, (ii) any and all liability, including without limitation special, consequential or incidental damages, and (iii) any and all implied warranties, including warranties of fitness for particular purpose, non-infringement and merchantability.**

Information provided in datasheets and/or specifications may vary from actual results in different applications and performance may vary over time. Statements regarding the suitability of products for certain types of applications are based on Vishay Precision Group's knowledge of typical requirements that are often placed on Vishay Precision Group products. It is the customer's responsibility to validate that a particular product with the properties described in the product specification is suitable for use in a particular application.

No license, express, implied, or otherwise, to any intellectual property rights is granted by this document, or by any conduct of Vishay Precision Group.

The products shown herein are not designed for use in life-saving or life-sustaining applications unless otherwise expressly indicated. Customers using or selling Vishay Precision Group products not expressly indicated for use in such applications do so entirely at their own risk and agree to fully indemnify Vishay Precision Group for any damages arising or resulting from such use or sale. Please contact authorized Vishay Precision Group personnel to obtain written terms and conditions regarding products designed for such applications.

Product names and markings noted herein may be trademarks of their respective owners.