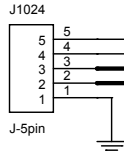
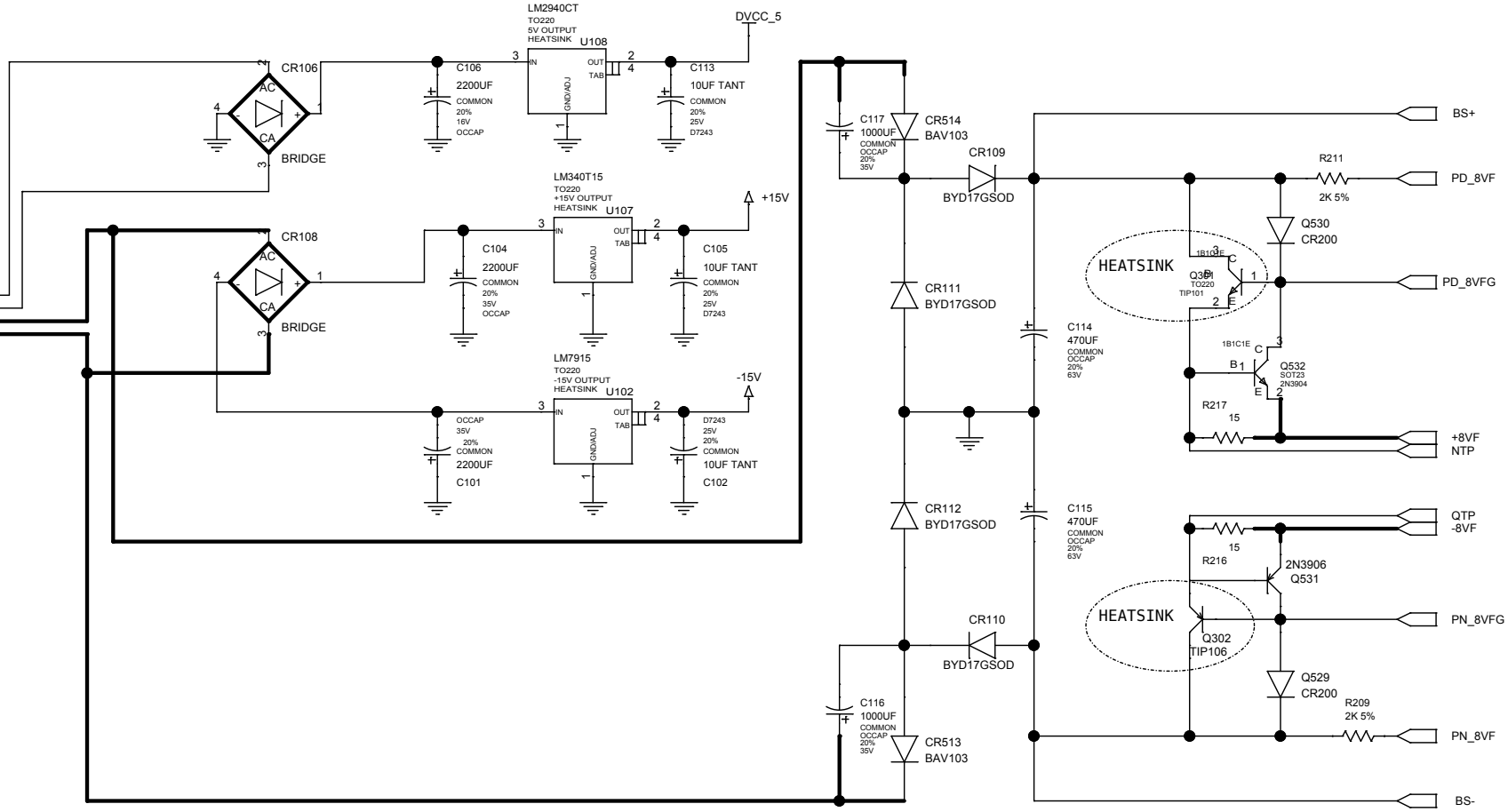


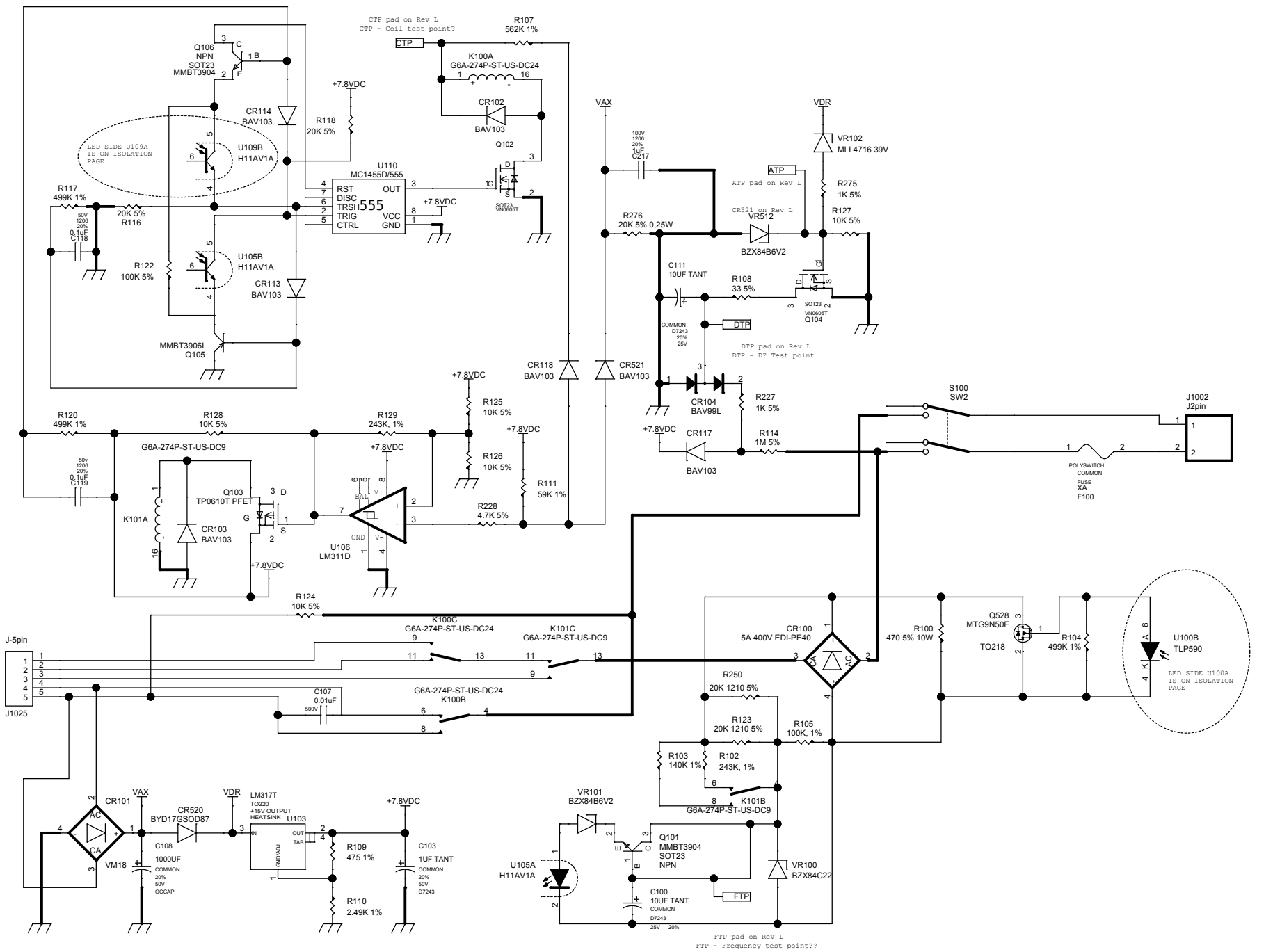
- 1 - Coil 1 Middle point
- 2 - Coil 1A
- 3 - Coil 1B
- 4 - Coil 2
- 5 - Coil 2



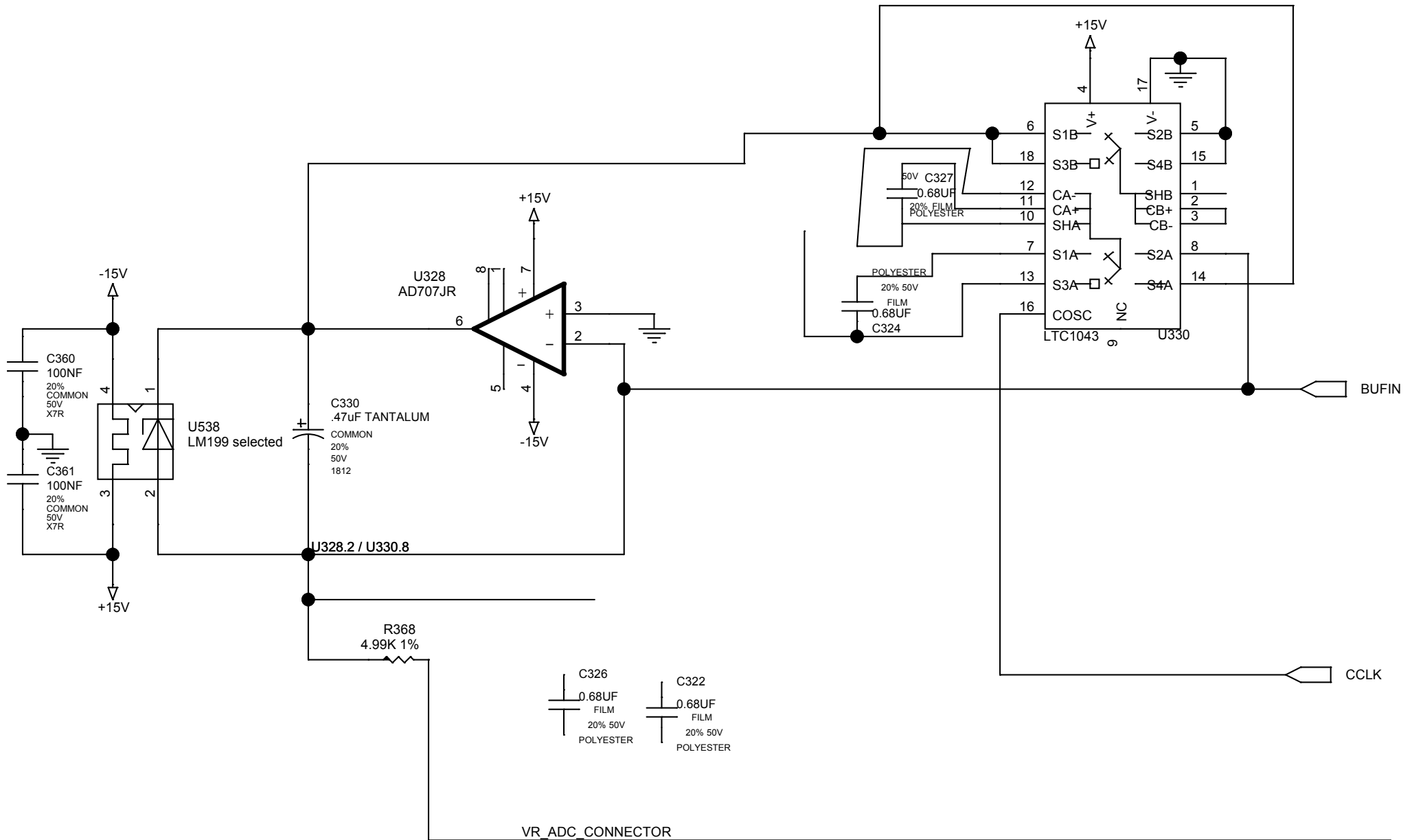
DC OUTPUT
for digital logic



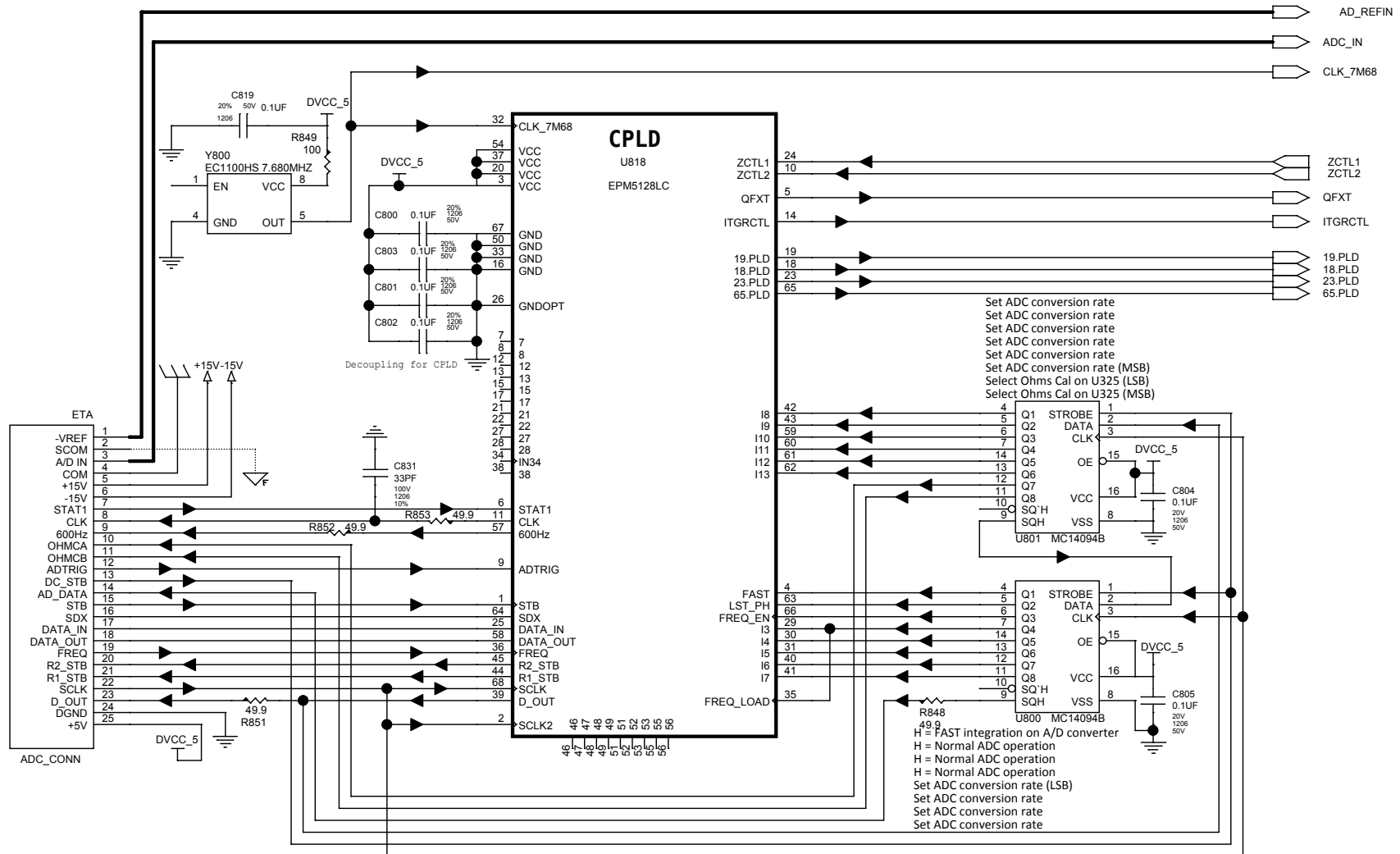
Title		
Keithley 2001 Analog board Front end bias section		
Size	Document Number	Rev
B	2001-102-01J	0.0
Date:	Sunday, January 12, 2014	Sheet 1 of 1



© Keithley R&E by xDevs.com 2012-2014		
Title Keithley 2001 Analog board Mains input section		
Size Custom	Document Number 2001-102-01J	Rev 0.0
Date: Sunday, January 12, 2014	Sheet 1	of 1



© Keithley R&E by xDevs.com 2012-2014		
Title Keithley 2001 Analog board Voltage reference section		
Size A	Document Number 2001-102-01J	Rev 0.0
Date:	Sunday, January 12, 2014	Sheet 1 of 1

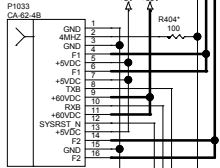
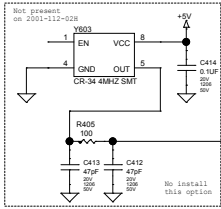


CPLD Programmed Keithley 2001-802-A05
 CPLD can be ALTERA EPM5128JC or Cypress Cy7C342B-35JC

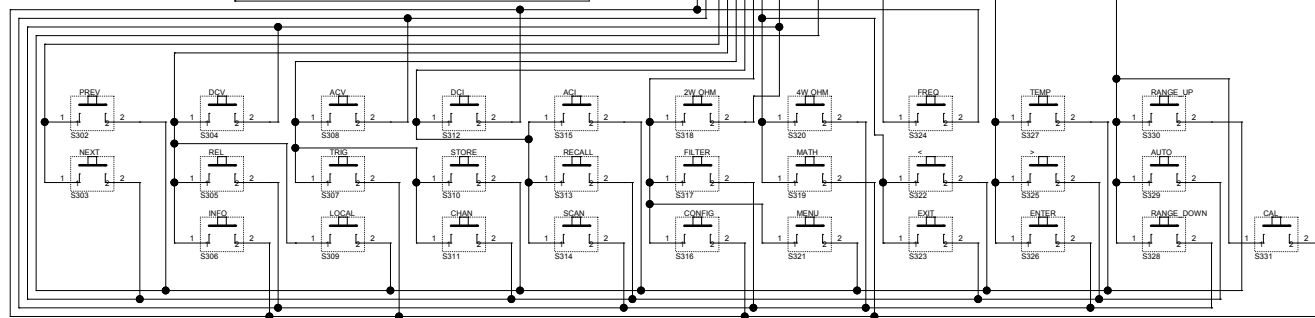
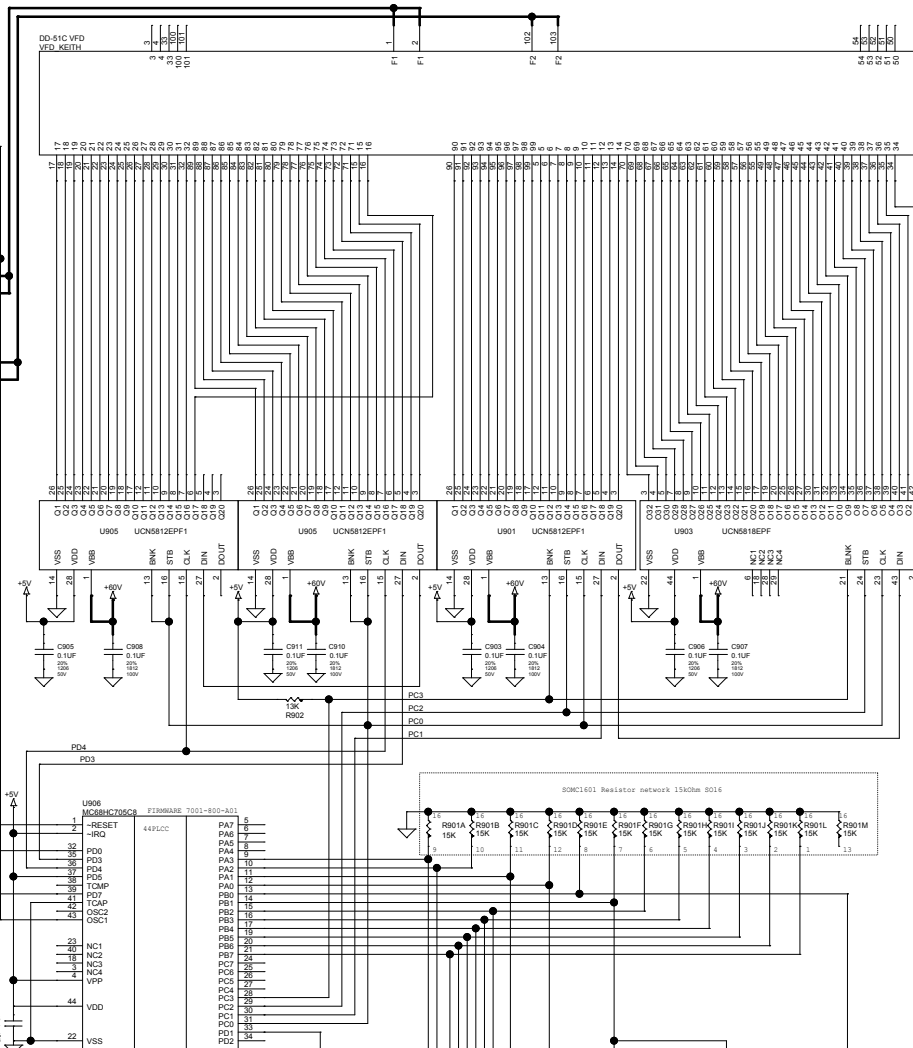
Set ADC conversion rate
 Set ADC conversion rate
 Set ADC conversion rate
 Set ADC conversion rate
 Set ADC conversion rate
 Set ADC conversion rate (MSB)
 Select Ohms Cal on U325 (LSB)
 Select Ohms Cal on U325 (MSB)

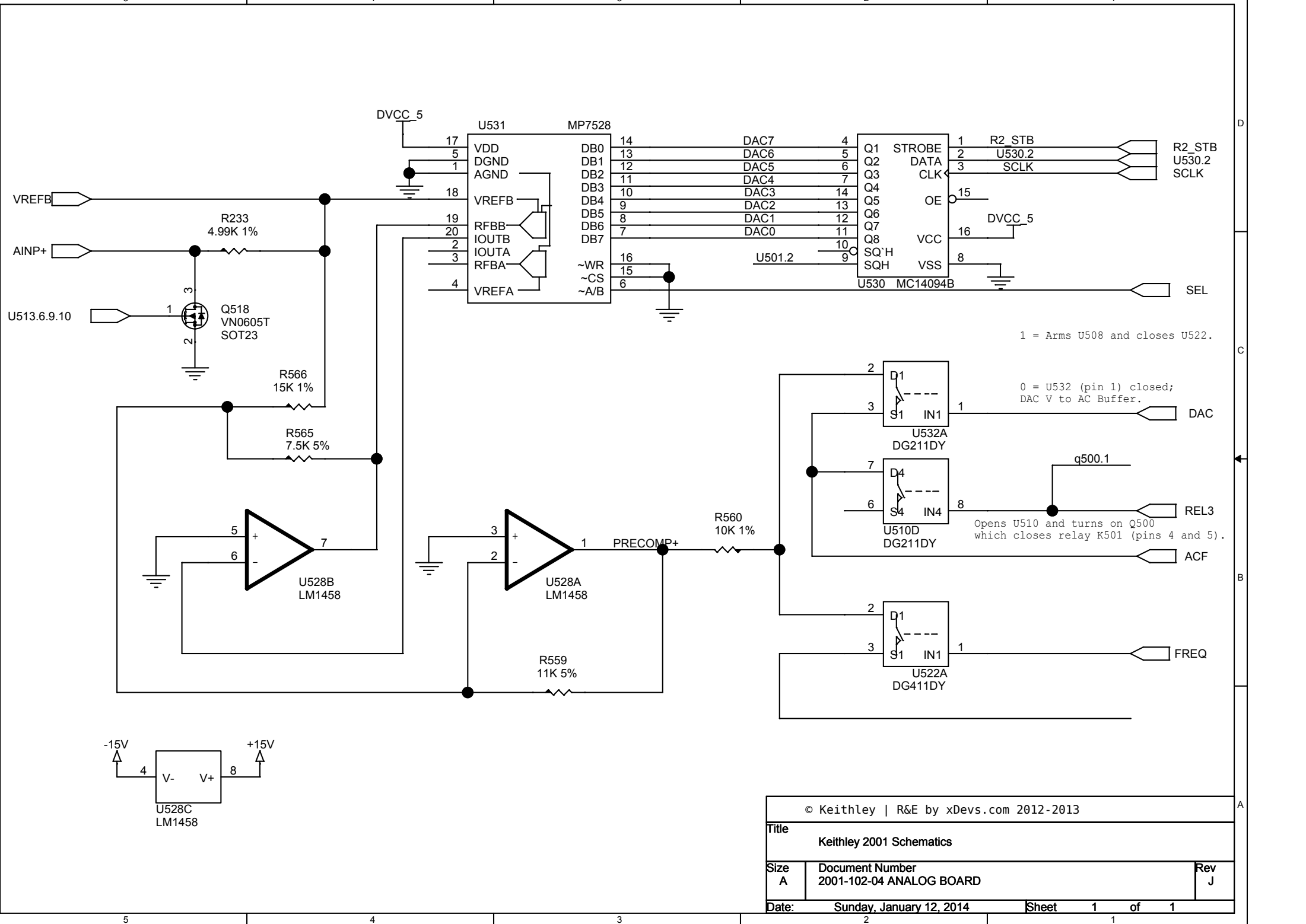
H = FAST integration on A/D converter
 H = Normal ADC operation
 H = Normal ADC operation
 H = Normal ADC operation
 Set ADC conversion rate (LSB)
 Set ADC conversion rate
 Set ADC conversion rate
 Set ADC conversion rate

© Keithley R&E by xDevs.com 2012-2014		
Title Keithley 2001 ADC board		
Size B	Document Number Keithley 2001-162-04G, H, J	Rev 0.0
Date:	Sunday, January 12, 2014	Sheet 1 of 1



* R404 not used on 2001-112-02H version



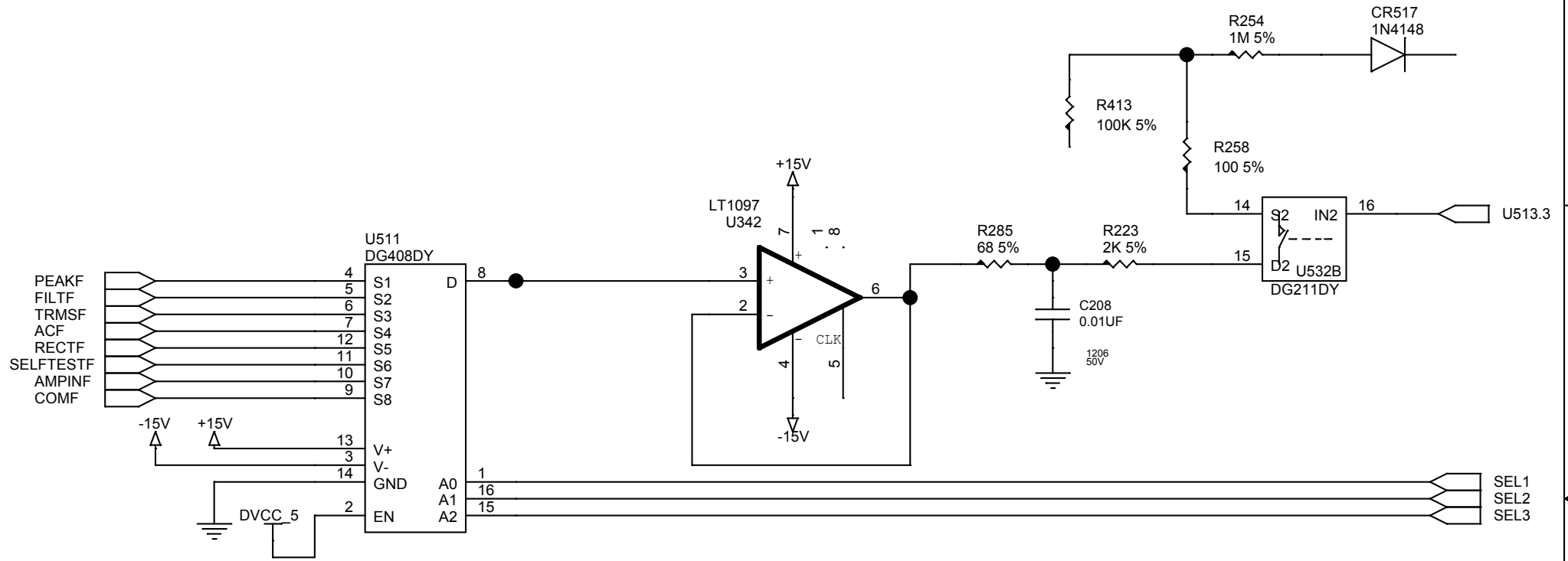


1 = Arms U508 and closes U522.

0 = U532 (pin 1) closed; DAC V to AC Buffer.

Opens U510 and turns on Q500 which closes relay K501 (pins 4 and 5).

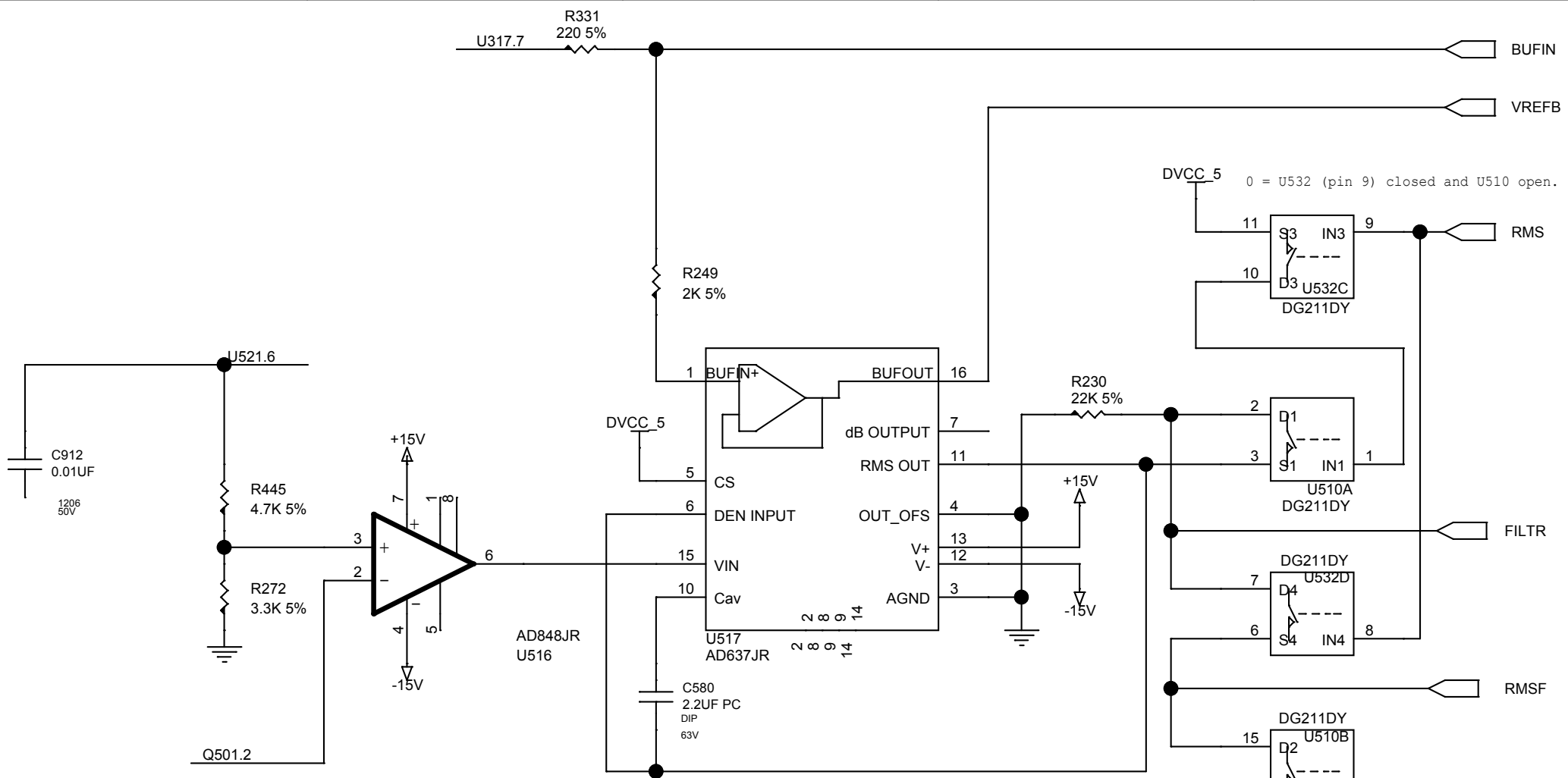
© Keithley R&E by xDevs.com 2012-2013		
Title Keithley 2001 Schematics		
Size A	Document Number 2001-102-04 ANALOG BOARD	Rev J
Date:	Sunday, January 12, 2014	Sheet 1 of 1



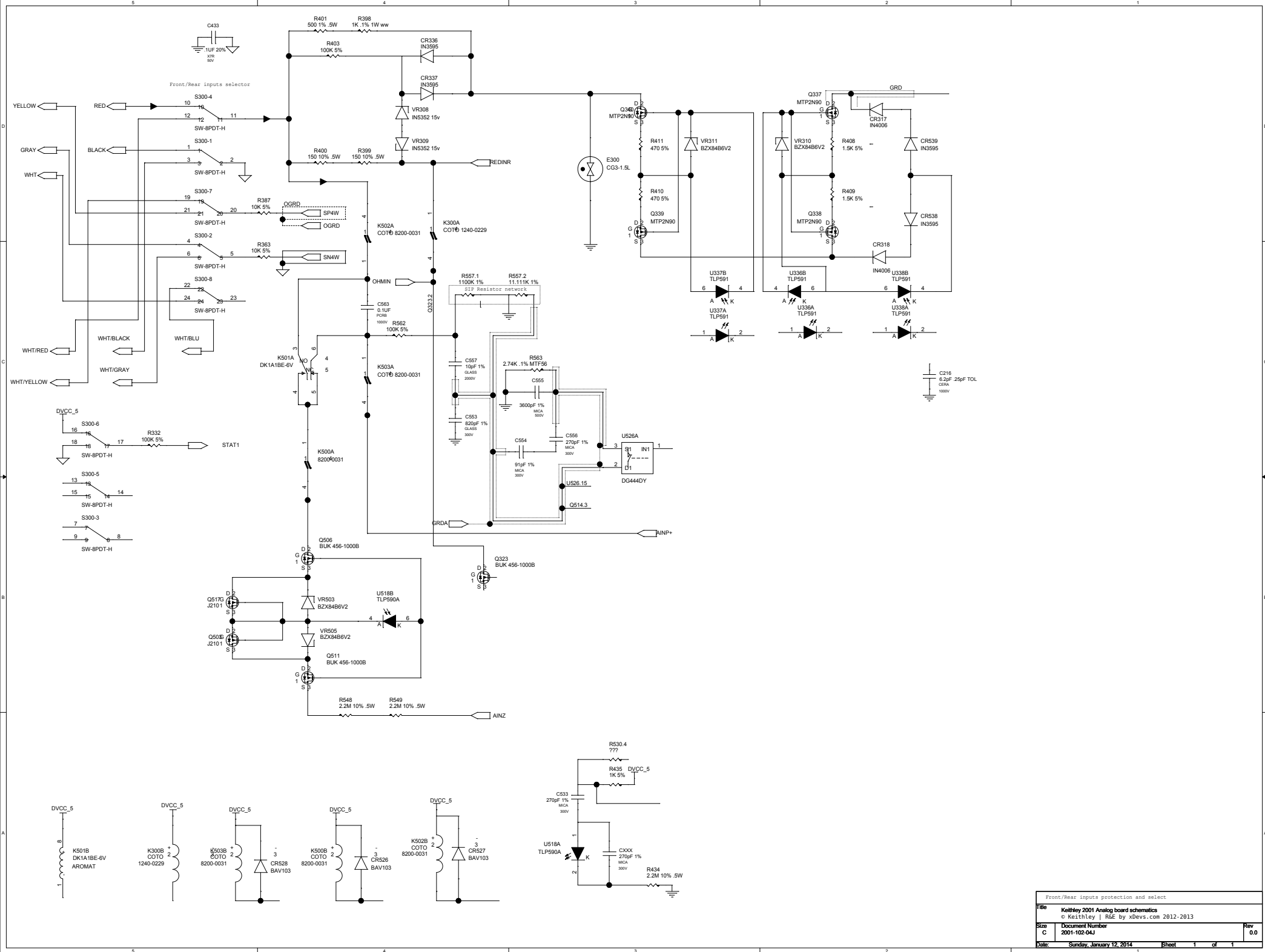
Truth table

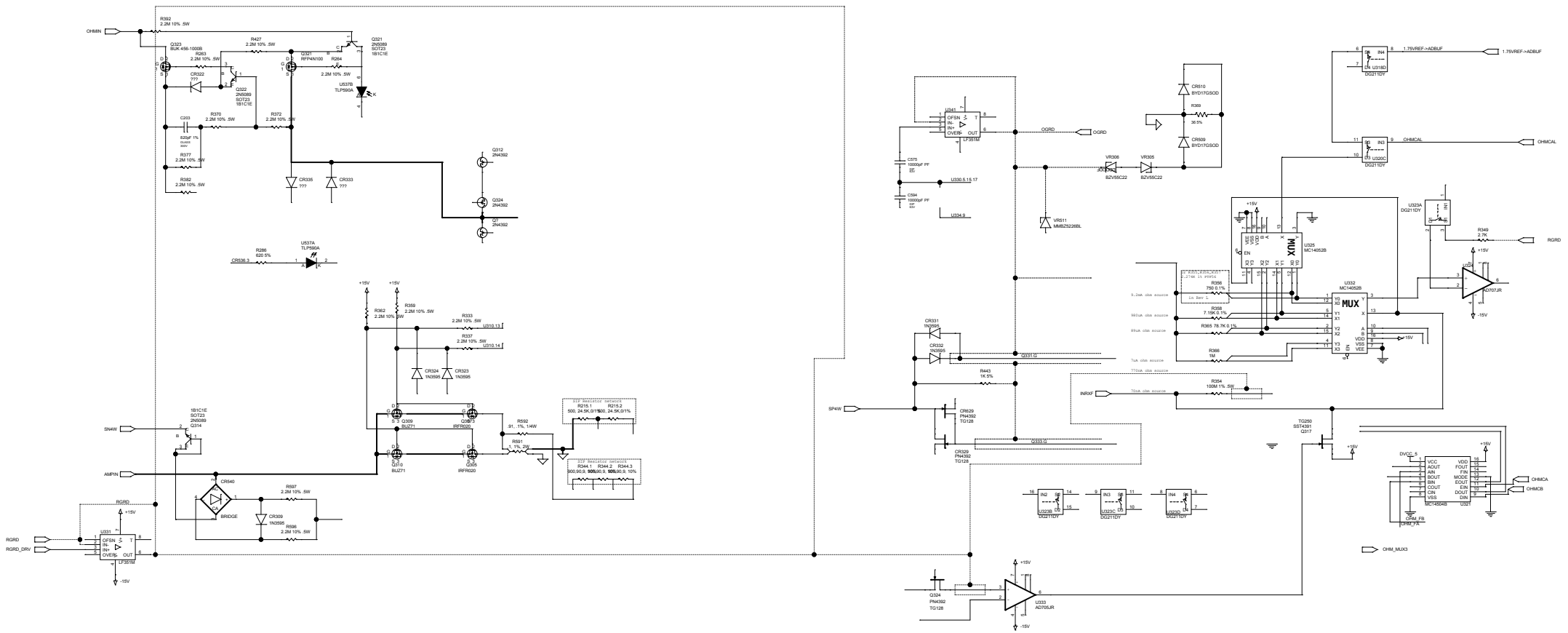
A[2..0]	ON SWITCH
0b000	S1 - Peak output
0b001	S2 - Filter output
0b010	S3 - TRMS output
0b011	S4 - ACF output
0b100	S5 - Rectifier output
0b101	S6 - SELFTST output
0b110	S7 - AMP IN output
0b111	S8 - Common

© Keithley R&E by xDevs.com 2012-2014		
Title <Title>		
Size A	Document Number <Doc>	Rev <RevCode>
Date:	Sunday, January 12, 2014	Sheet 1 of 1



© Keithley R&E by xDevs.com 2012-2013		
Title <Title>		
Size A	Document Number <Doc>	Rev <RevCode>
Date:	Sunday, January 12, 2014	Sheet 1 of 1





5

4

3

2

1

D

D

C

C

B

B

A

A



Title		
<Title>		
Size	Document Number	Rev
A	<Doc>	<RevCode>
Date:	Sunday, January 12, 2014	Sheet 1 of 1

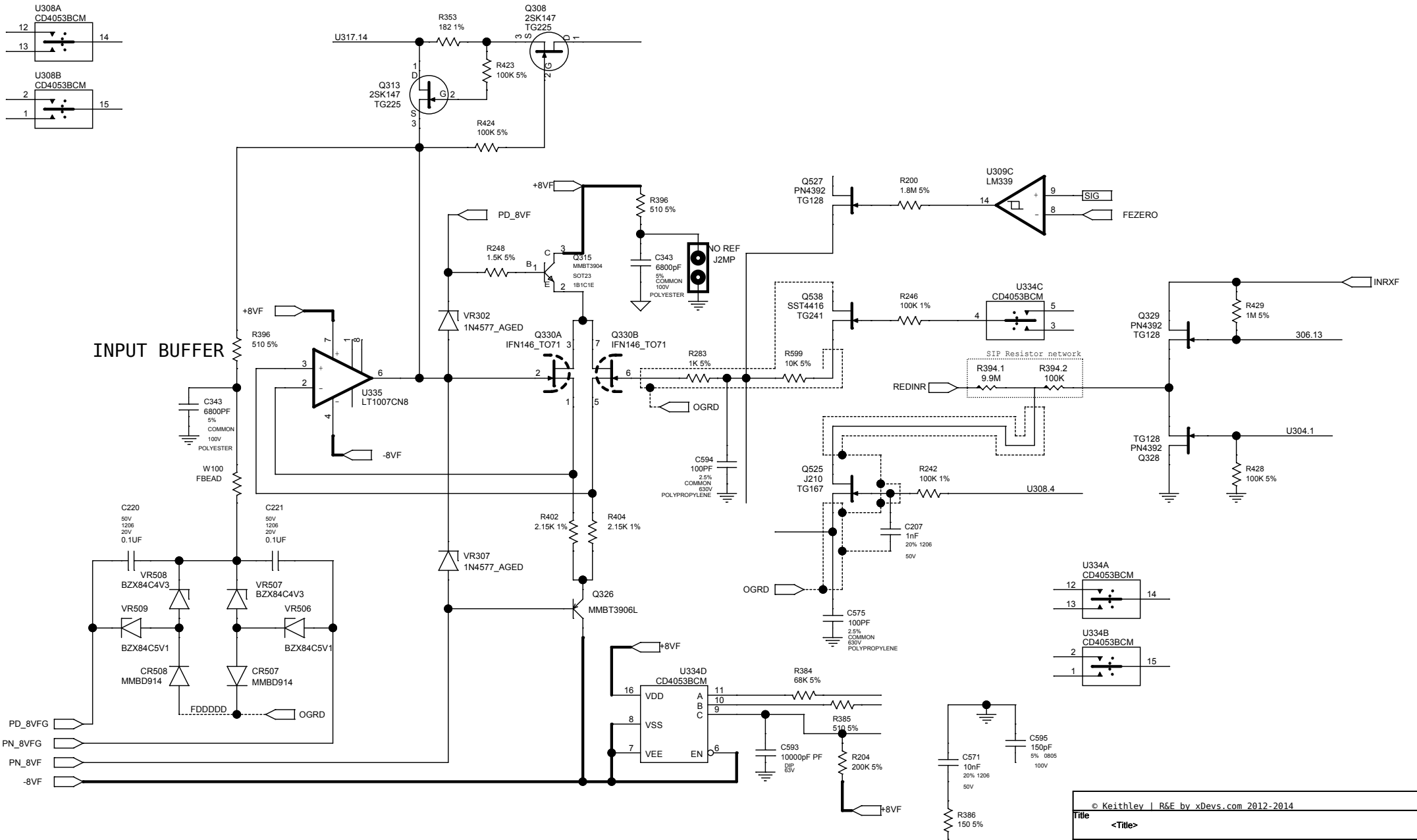
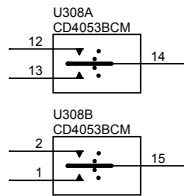
5

4

3

2

1



© Keithley | R&E by xDevs.com 2012-2014

Title	<Title>	
Size	Document Number	Rev
B	<Doc>	<RevCode>
Date:	Sunday, January 12, 2014	Sheet 1 of 1

5

4

3

2

1

D

D

C

C

B

B

A

A



© Keithley | R&E by xDevs.com 2012-2013

Title

<Title>

Size

A

Document Number

<Doc>

Rev

<RevCode>

Date:

Sunday, January 12, 2014

Sheet

1

of

1

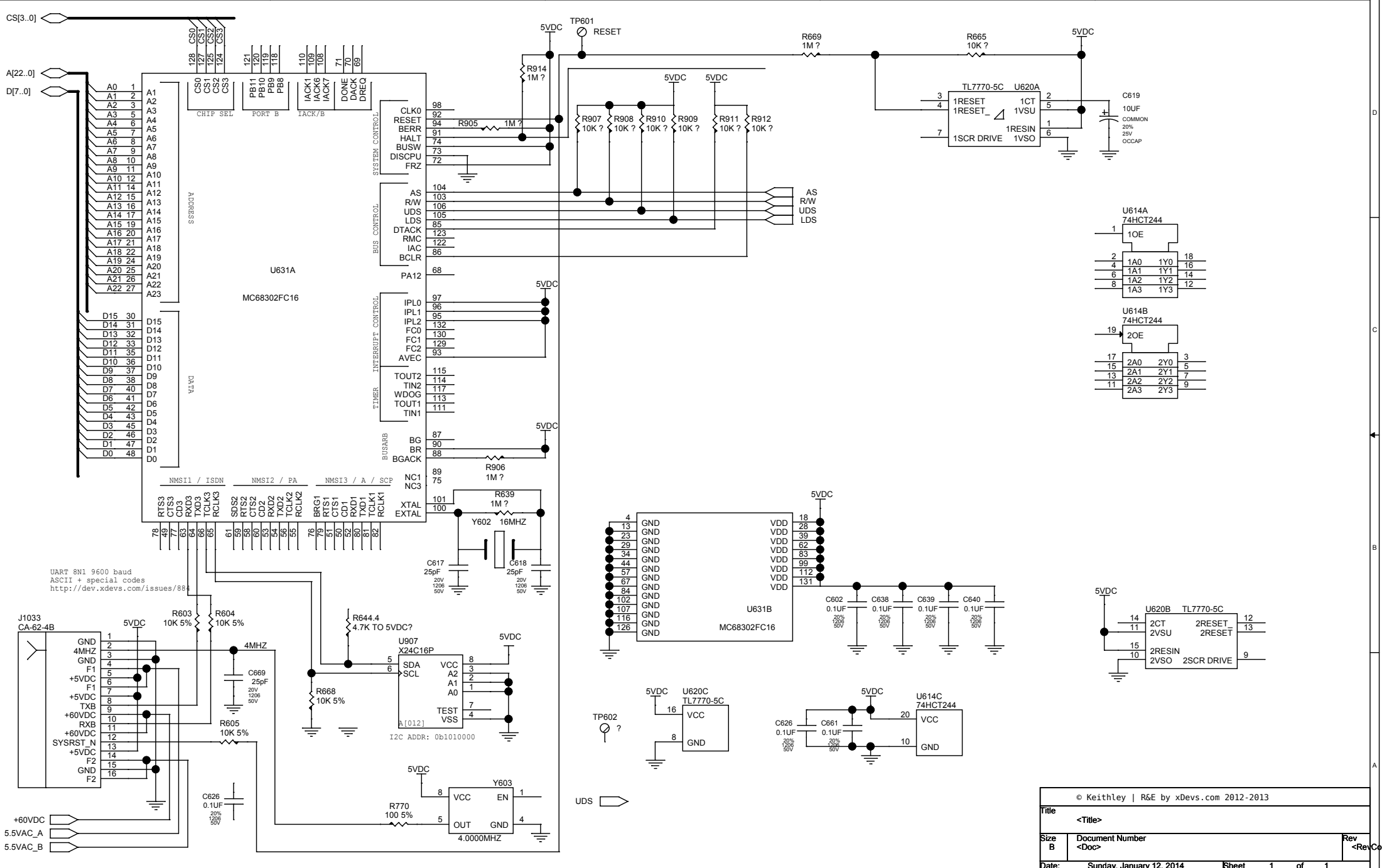
5

4

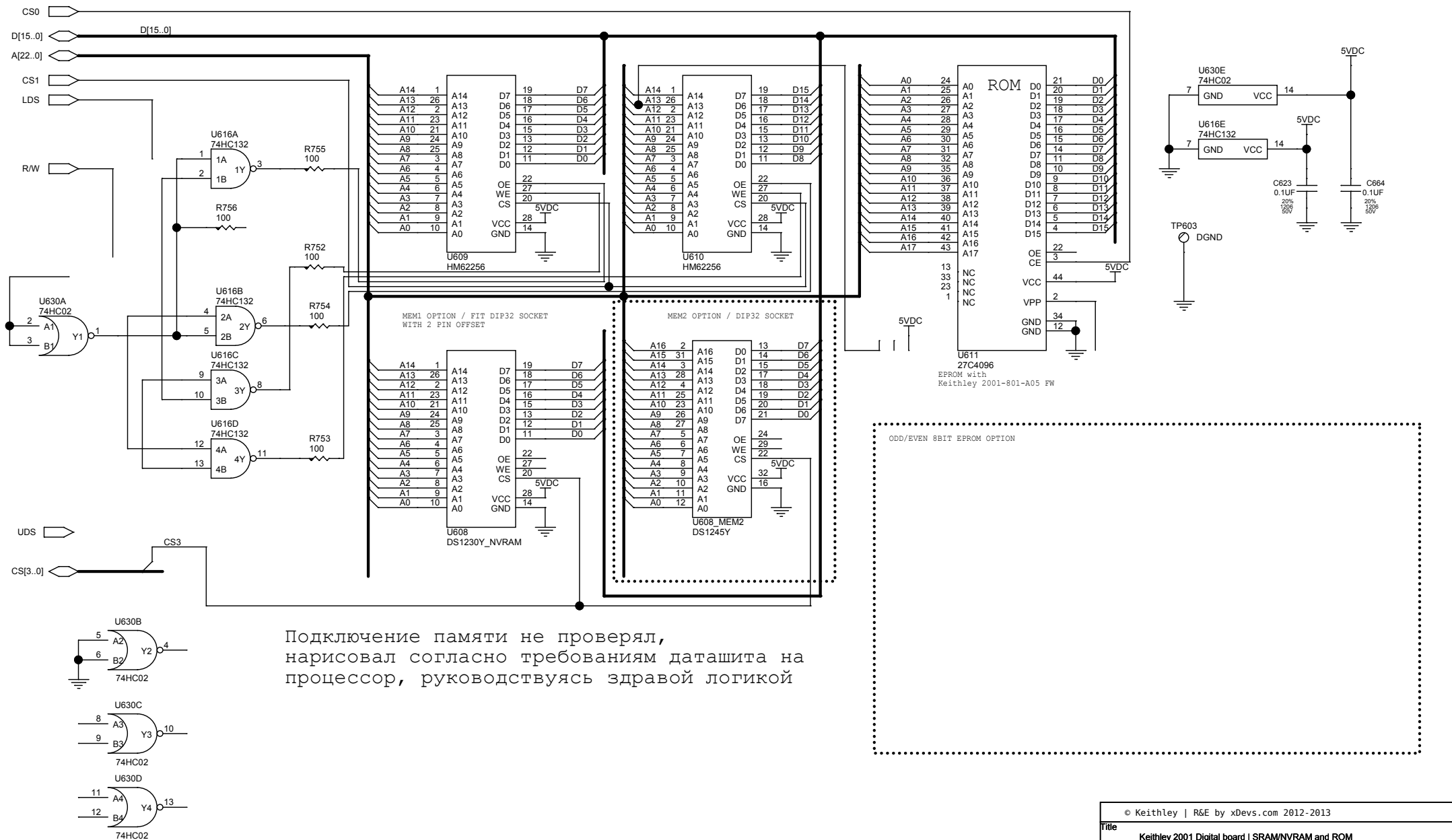
3

2

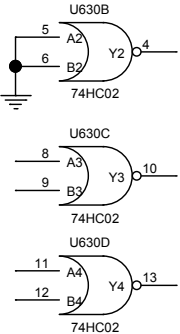
1



© Keithley R&E by xDevs.com 2012-2013		
Title	<Title>	
Size	Document Number	Rev
B	<Doc>	<RevCode>
Date:	Sunday, January 12, 2014	Sheet 1 of 1

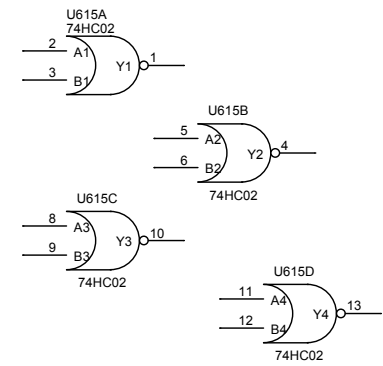
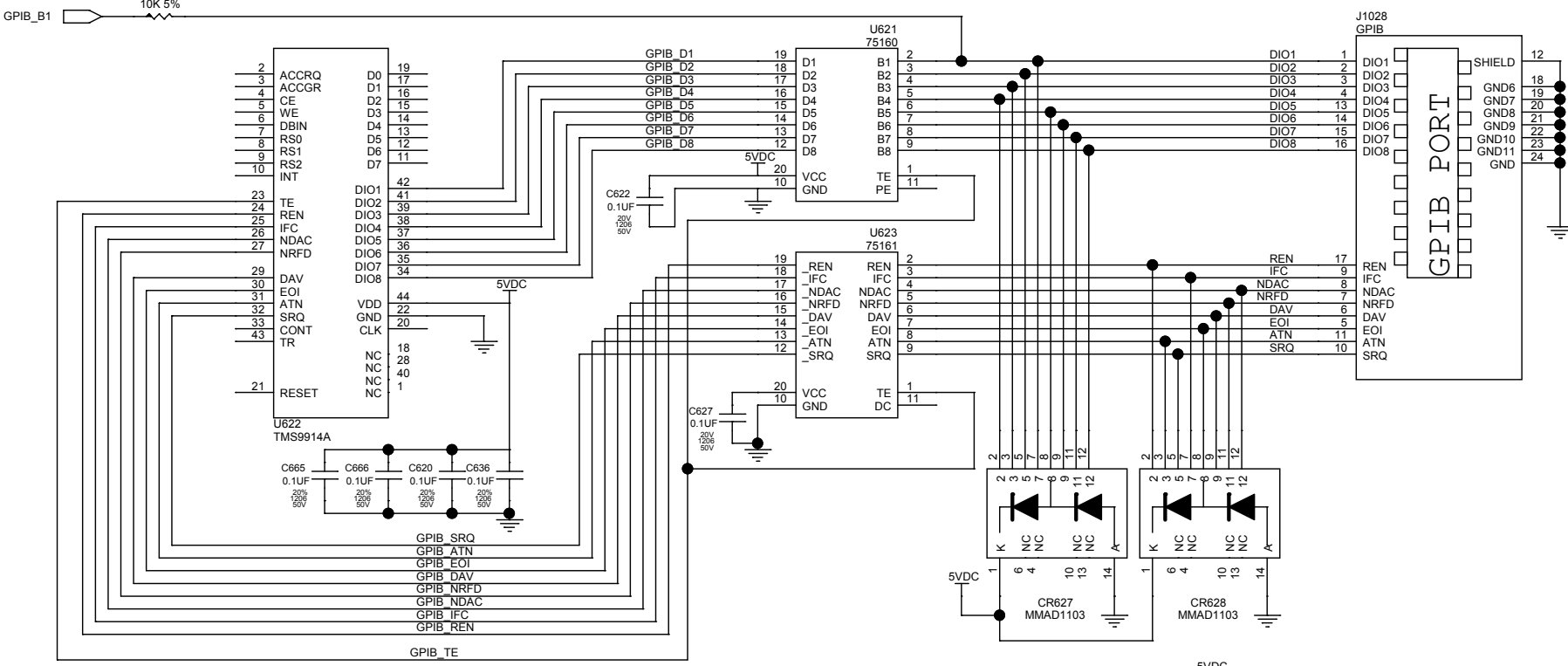


Подключение памяти не проверял,
нарисовал согласно требованиям даташита на
процессор, руководствуясь здравой логикой



© Keithley R&E by xDevs.com 2012-2013		
Title Keithley 2001 Digital board SRAM/NVRAM and ROM		
Size B	Document Number <Doc>	Rev 0.0
Date: Sunday, January 12, 2014	Sheet 1	of 1

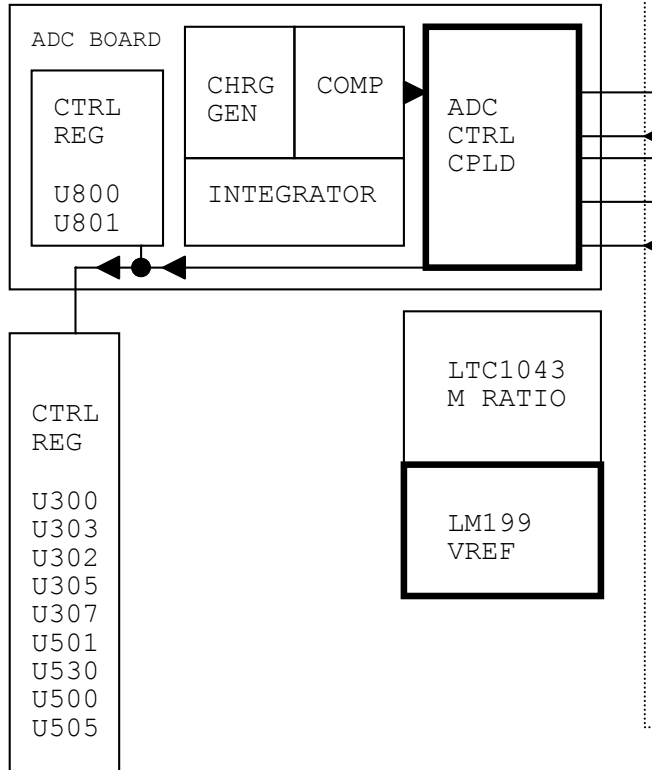
R749
10K 5%



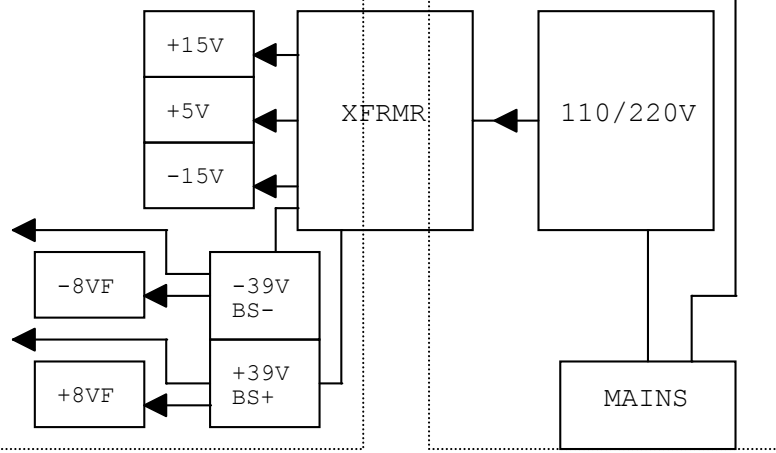
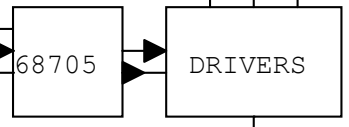
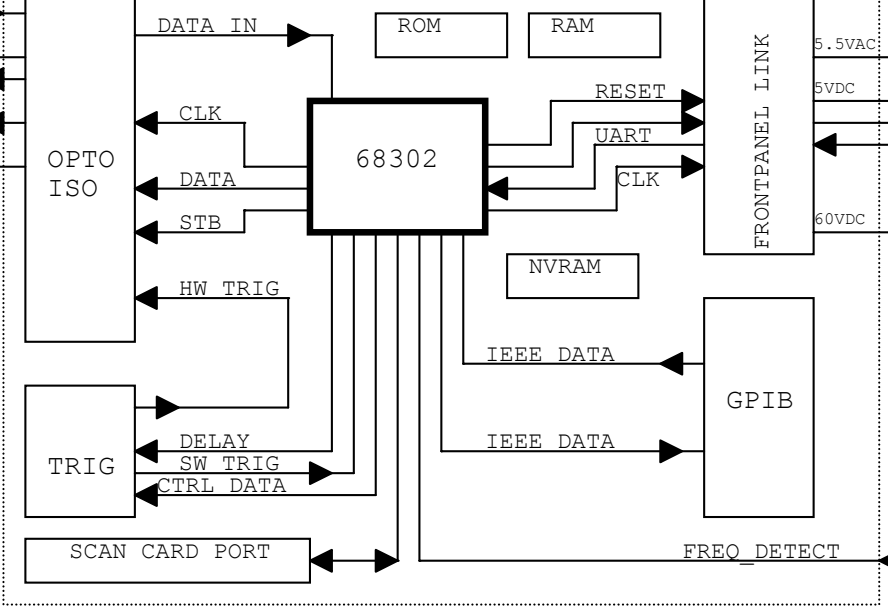
© Keithley R&E by xDevs.com 2012-2013		
Title		<Title>
Size	Document Number	Rev
B	<Doc>	<RevCode>
Date:	Sunday, January 12, 2014	Sheet 1 of 1

BLOCK DIAGRAM

ANALOG BOARD



DIGITAL BOARD



© Keithley R&E by xDevs.com 2012-2013		
Title <Title>		
Size A	Document Number <Doc>	Rev <RevCode>
Date:	Sunday, January 12, 2014	Sheet 1 of 1

K2001 REV J

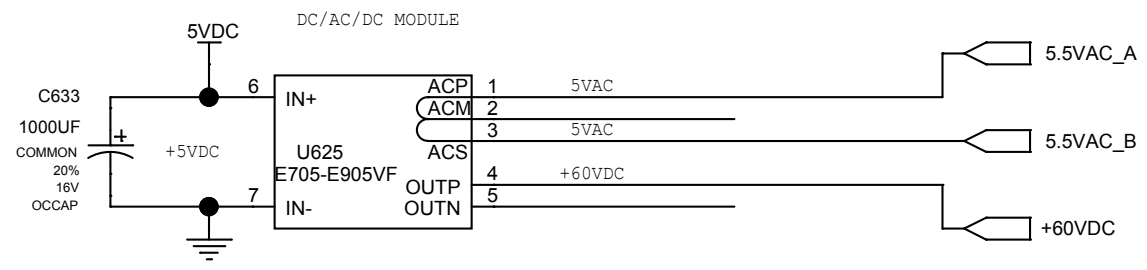
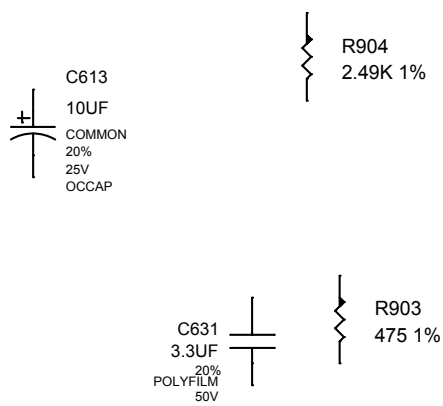
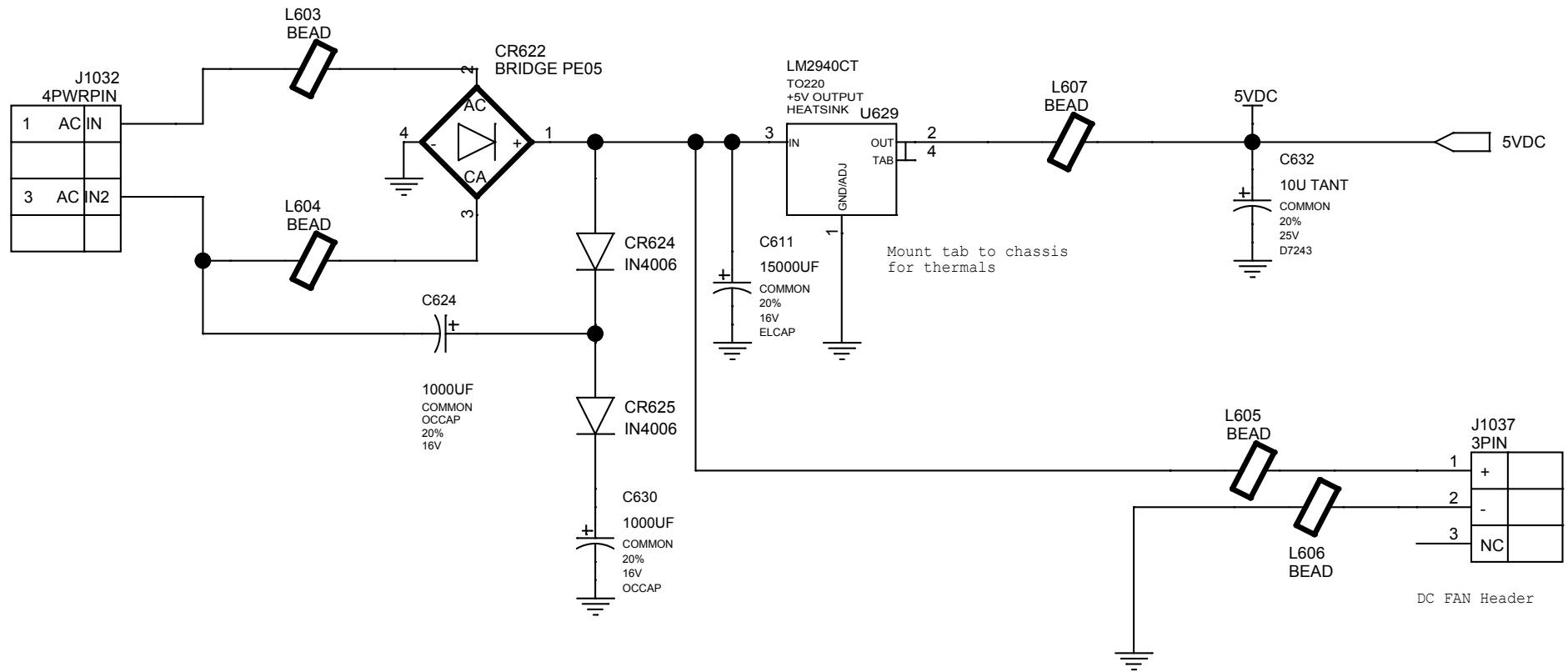
11F3:2001

7.5Dig DMM Half-rack unit

TABLE OF CONTENTS

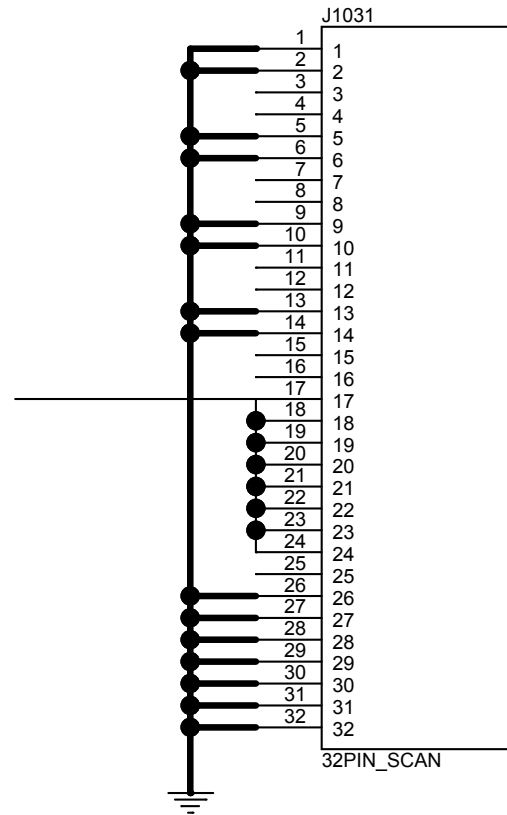
Page	Description
00	Index
01	Block Diagram
02	Earth referenced PSU
03	Floating PSU
04	A/D Convertor
05	Analog multiplexer

Title		
<Title>		
Size	Document Number	Rev
B	<Doc>	0.0
Date:	Sunday, January 12, 2014	Sheet 1 of 1

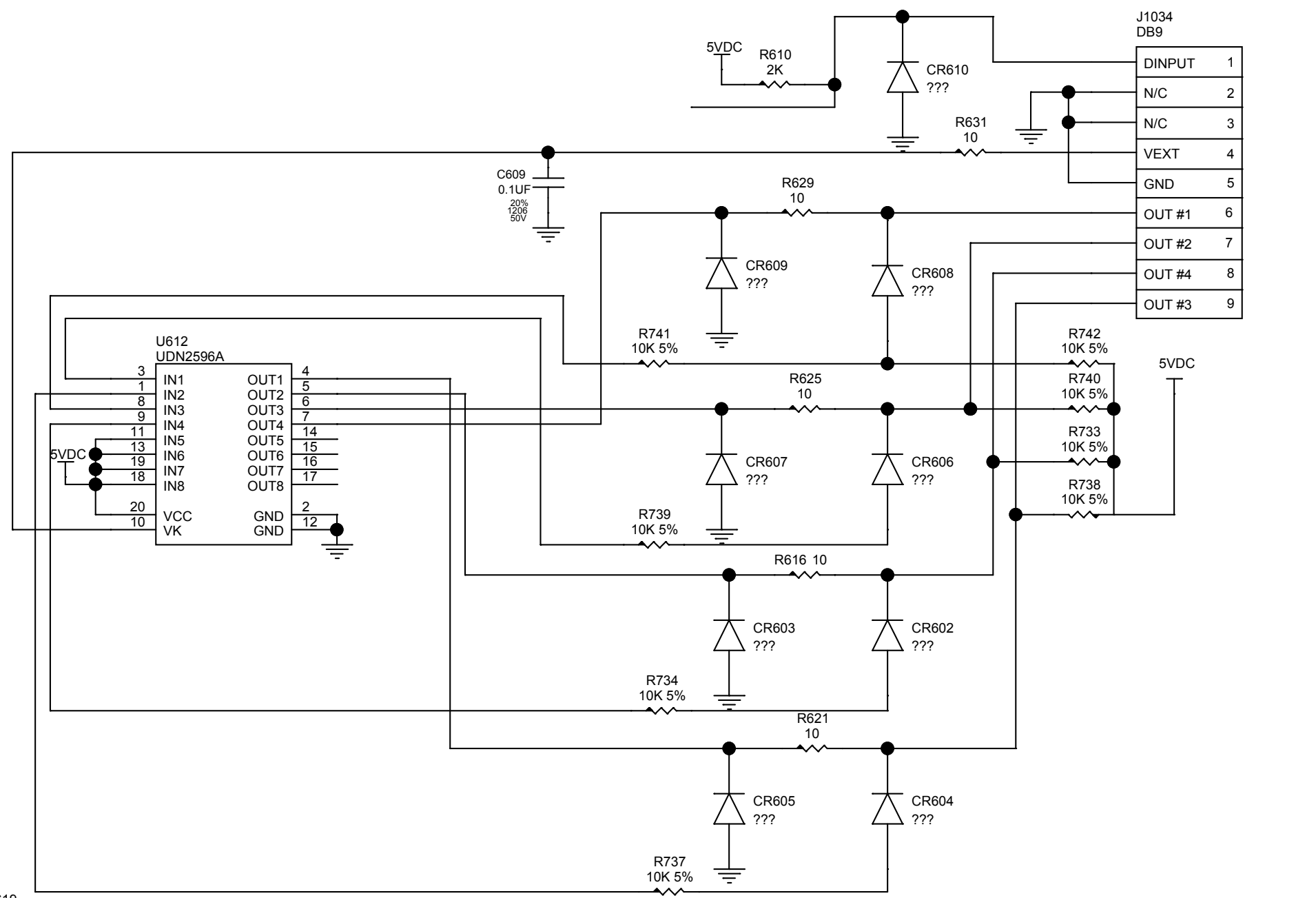


© Keithley R&E by xDevs.com 2012-2013		
Title digital board power supply		
Size A	Document Number <Doc>	Rev <RevCode>
Date:	Sunday, January 12, 2014	Sheet 1 of 1

Схему скан-карты потом сделаем отдельным под-проектом

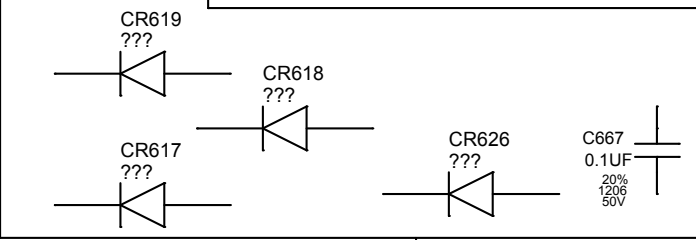


© Keithley R&E by xDevs.com 2012-2013		
Title SCAN PORT		
Size A	Document Number <Doc>	Rev <RevCode>
Date:	Sunday, January 12, 2014	Sheet 1 of 1



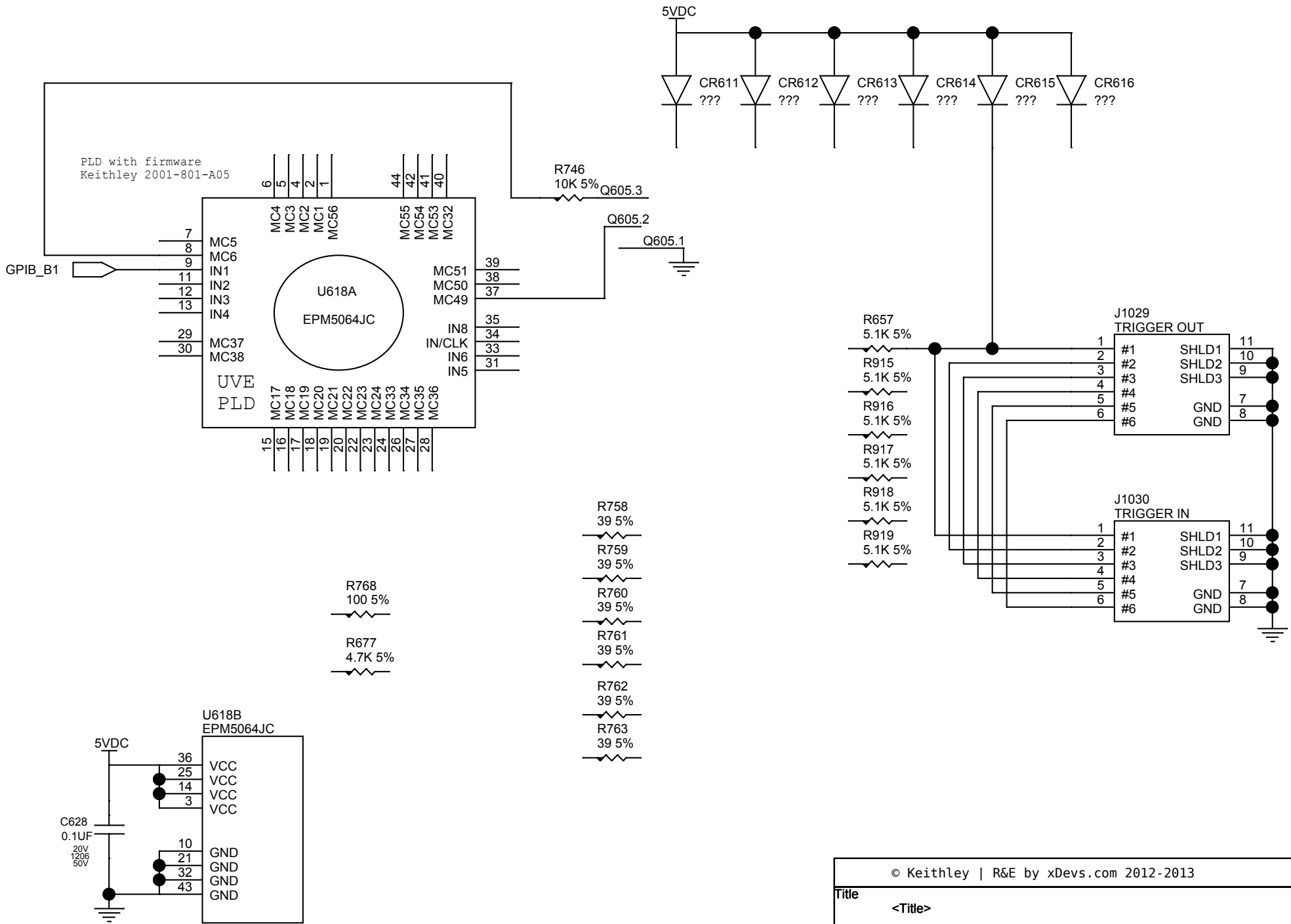
J1034 DB9

DINPUT	1
N/C	2
N/C	3
VEXT	4
GND	5
OUT #1	6
OUT #2	7
OUT #4	8
OUT #3	9



© Keithley | R&E by xDevs.com 2012-2013

Title		
<Title>		
Size	Document Number	Rev
A	<Doc>	<RevCode>
Date:	Sunday, January 12, 2014	Sheet 1 of 1



© Keithley R&E by xDevs.com 2012-2013		
Title <Title>		
Size A	Document Number <Doc>	Rev <RevCode>
Date:	Sunday, January 12, 2014	Sheet 1 of 1

5

4

3

2

1

D

D

C

C

B

B

A

A



© Keithley | R&E by xDevs.com 2012-2013

Title <Title>

Size A Document Number <Doc> Rev <RevCode>

Date: Sunday, January 12, 2014 Sheet 1 of 1

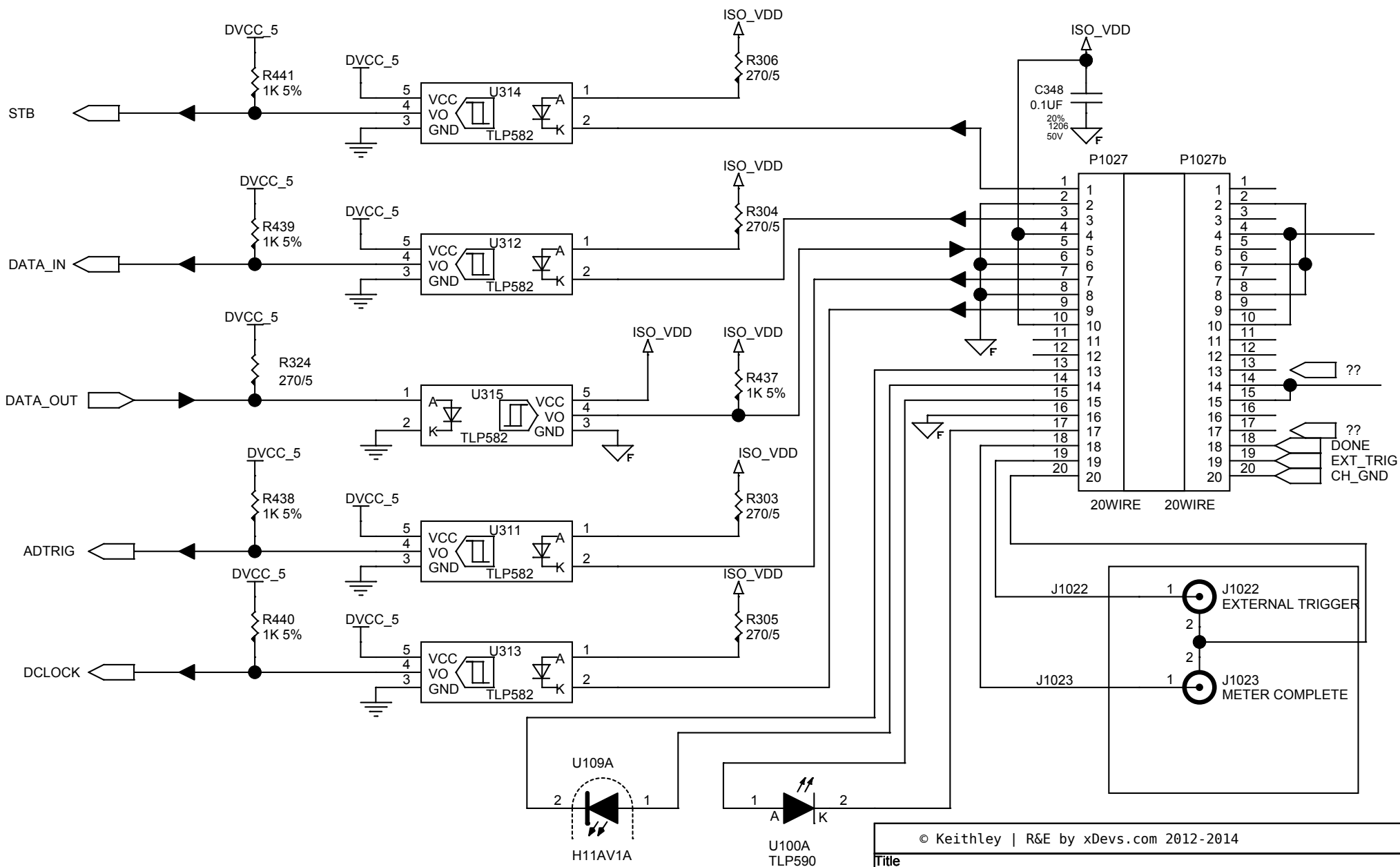
5

4

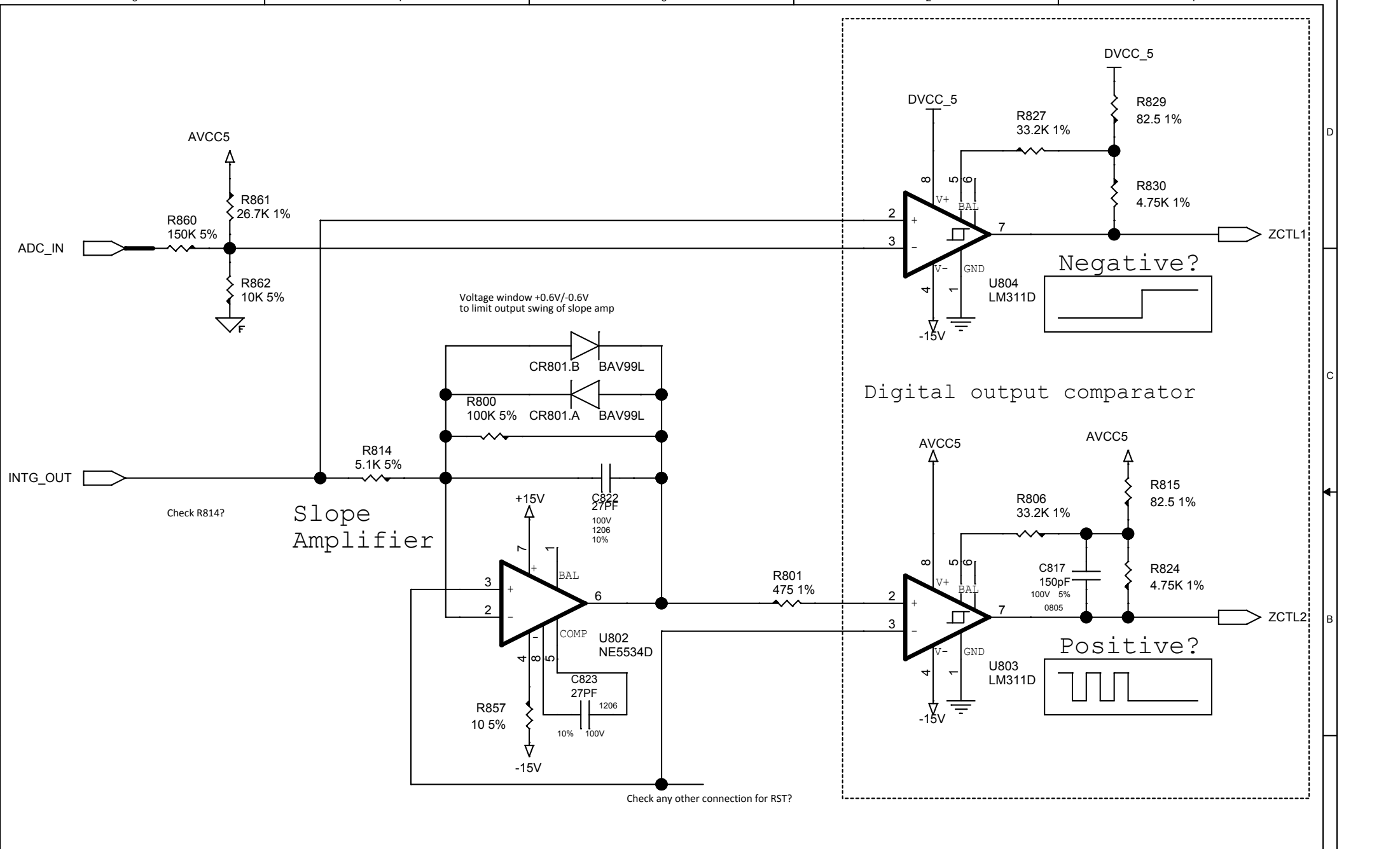
3

2

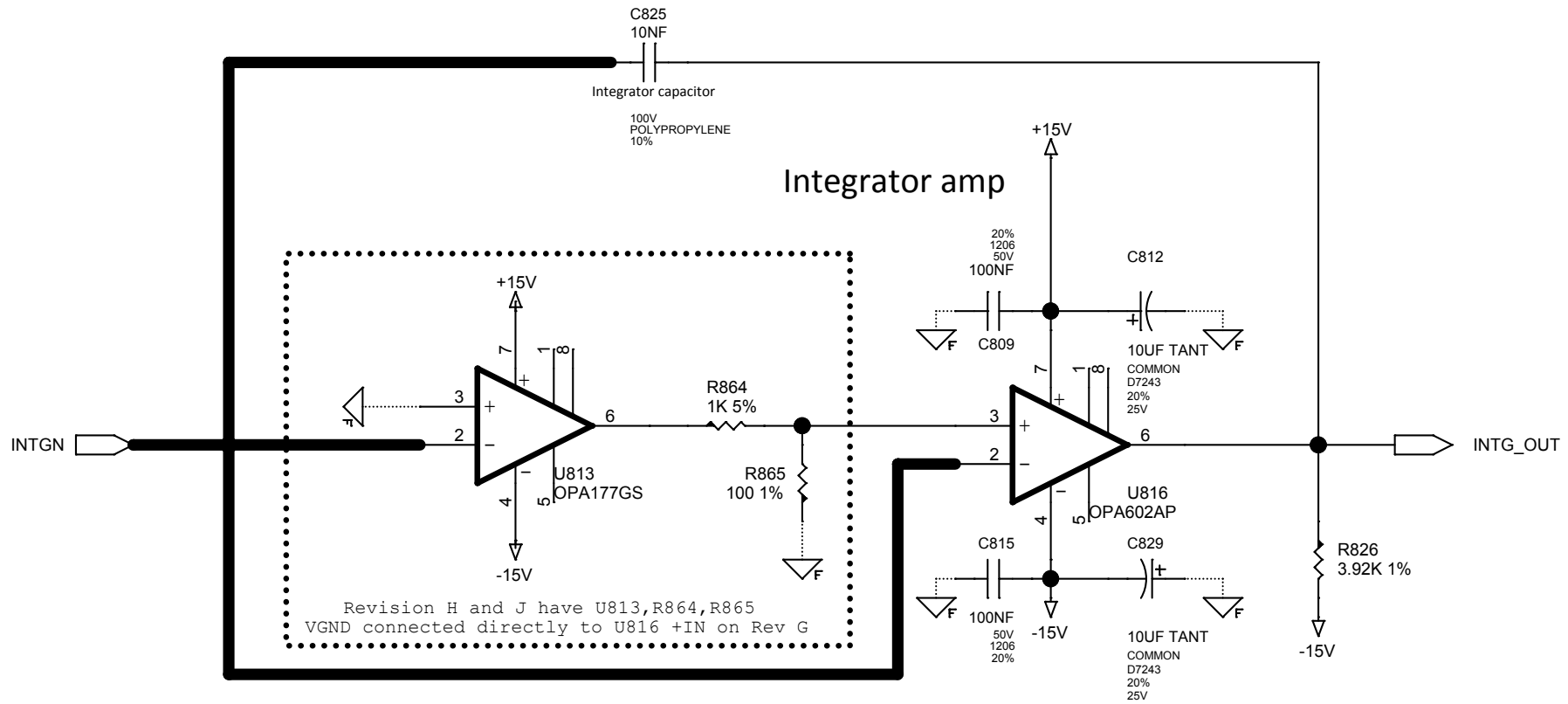
1



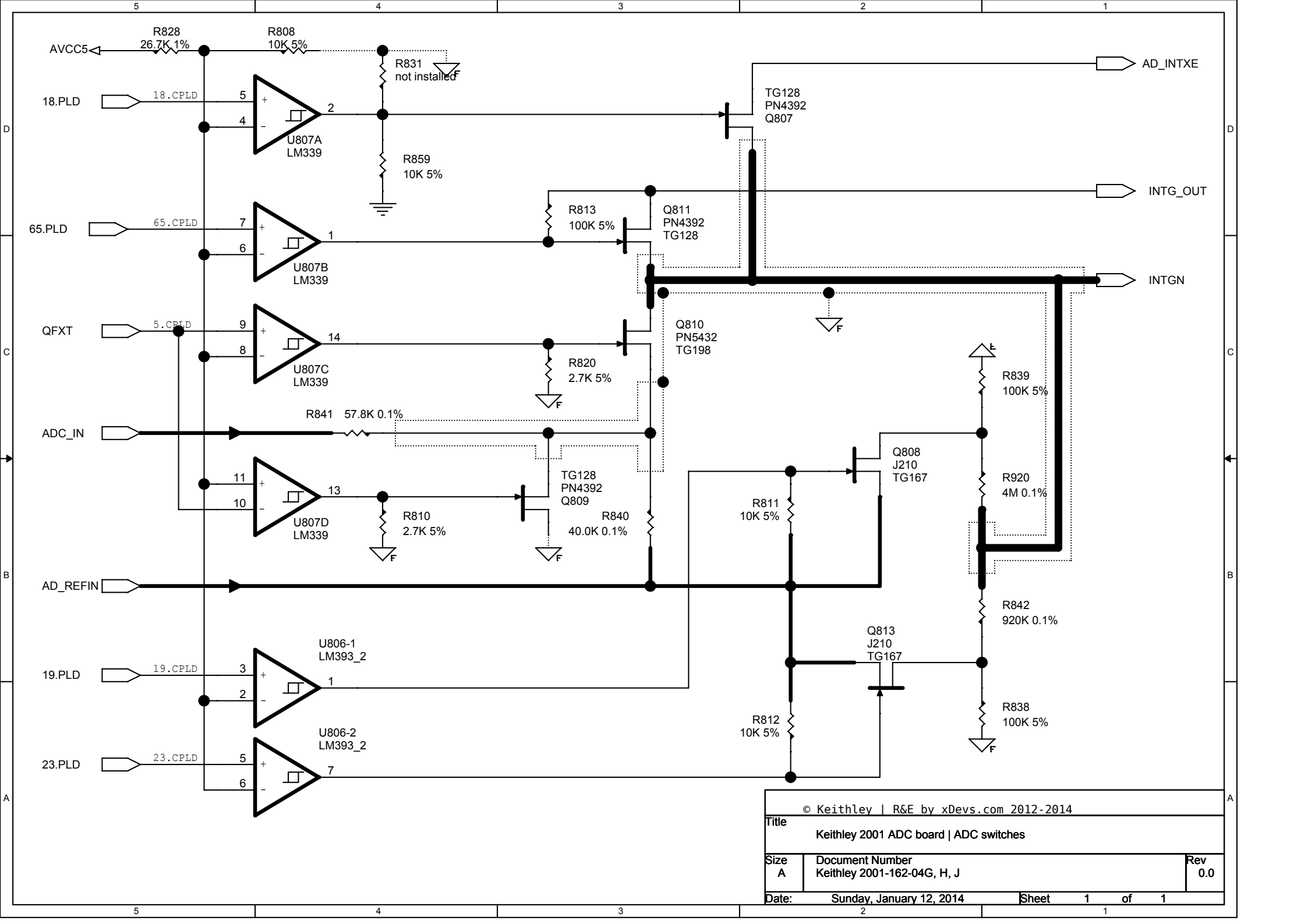
© Keithley R&E by xDevs.com 2012-2014		
Title Keithley 2001 Analog board Digital board isolation		
Size A	Document Number 2001-102-01J	Rev 0.1
Date:	Sunday, January 12, 2014	Sheet 1 of 1



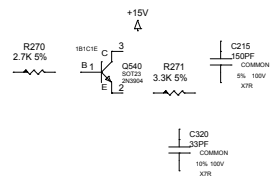
© Keithley R&E by xDevs.com 2012-2014		
Title Keithley 2001 ADC board		
Size A	Document Number Keithley 2001-162-04G, H, J	Rev 0.0
Date:	Sunday, January 12, 2014	Sheet 1 of 1



© Keithley R&E by xDevs.com 2012-2014		
Title Keithley 2001 ADC board Integrator		
Size A	Document Number Keithley 2001-162-04G, H, J	Rev 0.0
Date:	Sunday, January 12, 2014	Sheet 1 of 1



© Keithley R&E by xDevs.com 2012-2014		
Title Keithley 2001 ADC board ADC switches		
Size A	Document Number Keithley 2001-162-04G, H, J	Rev 0.0
Date:	Sunday, January 12, 2014	Sheet 1 of 1



Title		<Title>
Size	Document Number	Rev
C	<Doc>	<Rev Code>
Date:	Sunday, January 12, 2014	Sheet 1 of 1

5

4

3

2

1

D

D

C

C

B

B

A

A



Title		
<Title>		
Size	Document Number	Rev
A	<Doc>	<RevCode>
Date:	Sunday, January 12, 2014	Sheet 1 of 1

5

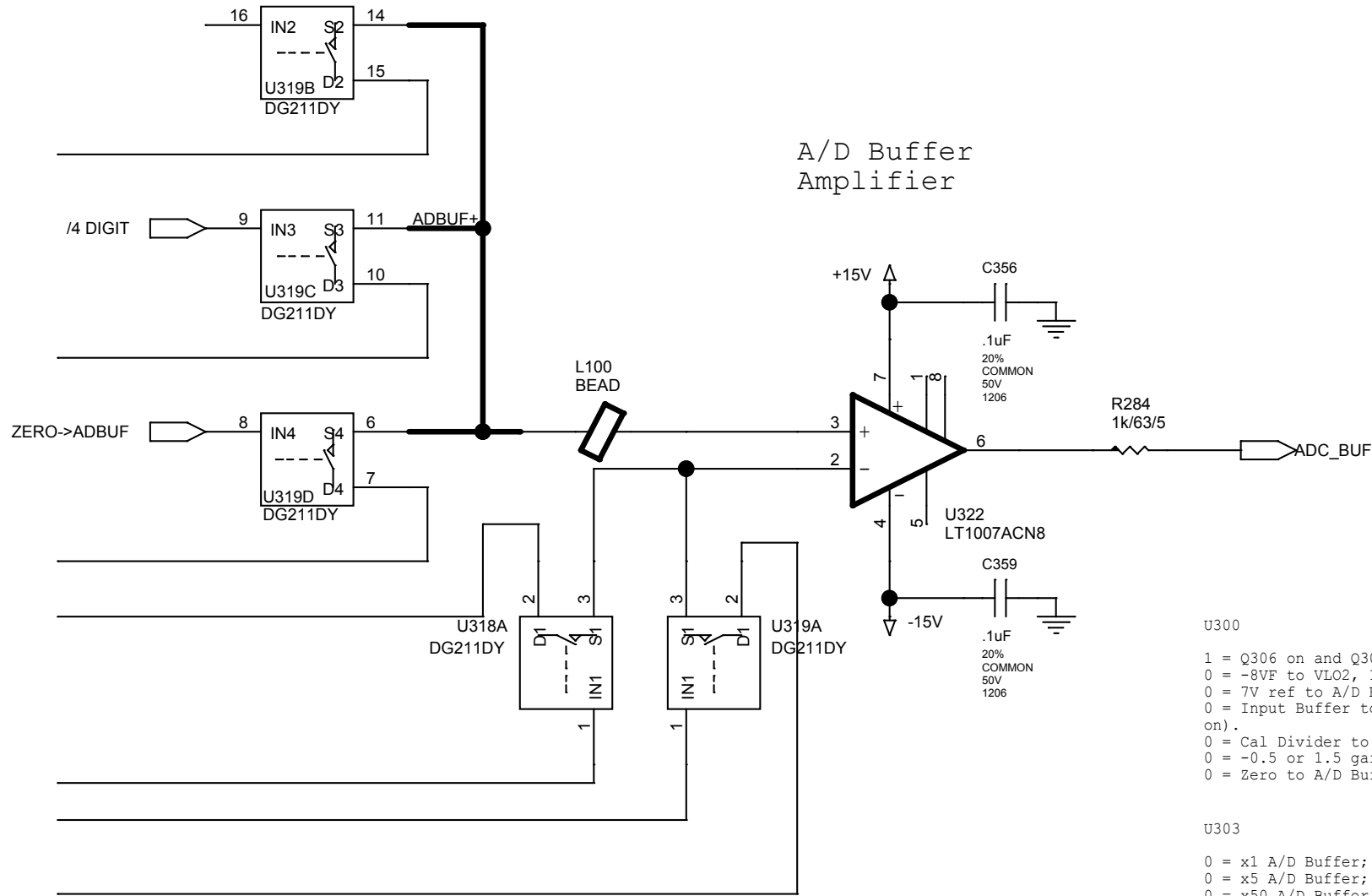
4

3

2

1

A/D Buffer Amplifier



U300

- 1 = Q306 on and Q304 off.
- 0 = -8Vf to VLO2, 1 = -8Vf to BSCOM.
- 0 = 7V ref to A/D Buffer (via U317).
- 0 = Input Buffer to A/D Buffer (Q308 and Q313 on).
- 0 = Cal Divider to A/D Buffer (via U319).
- 0 = -0.5 or 1.5 gain (via U319).
- 0 = Zero to A/D Buffer (via U319).

U303

- 0 = x1 A/D Buffer; U318 (/X1) closed.
- 0 = x5 A/D Buffer; U318 (/X5) closed.
- 0 = x50 A/D Buffer; U318 (/X50) closed.
- 0 = 1.75V ref to A/D Buffer (via U318).
- 0 = ACV/A to A/D Buffer (via U320).
- 0 = DCA to A/D Buffer (via U320).

© Keithley | R&E by xDevs.com 2012-2013

Title

Keithley 2001 Analog board schematics | A/D Buffer

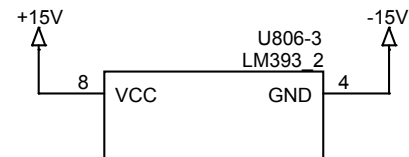
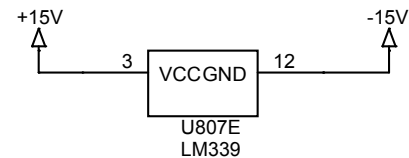
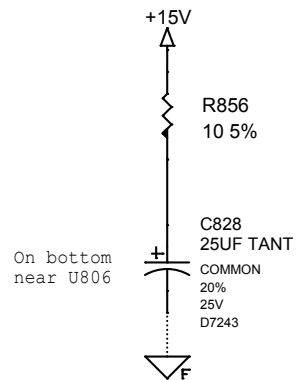
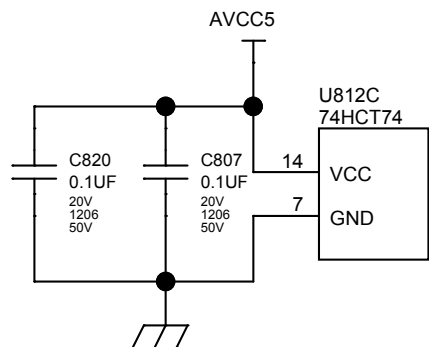
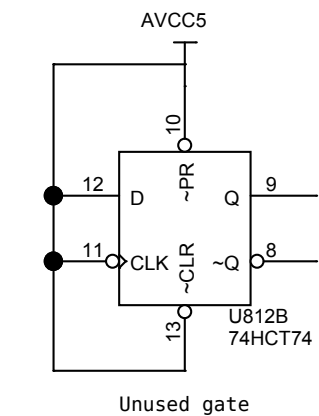
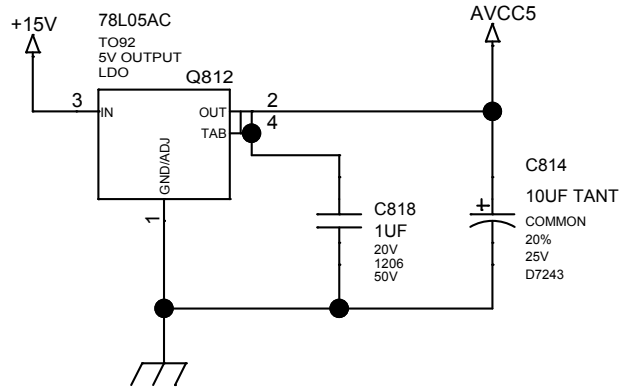
Size
A

Document Number
2001-102-04J

Rev
0.0

Date: Sunday, January 12, 2014

Sheet 1 of 1



© Keithley | R&E by xDevs.com 2012-2014

Title

Keithley 2001 ADC board | Power delivery

Size

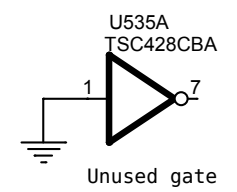
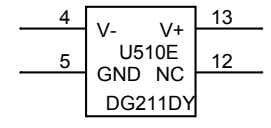
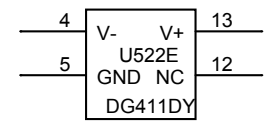
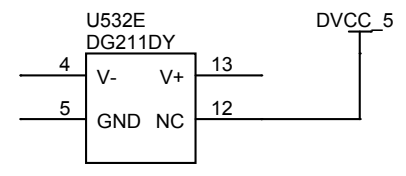
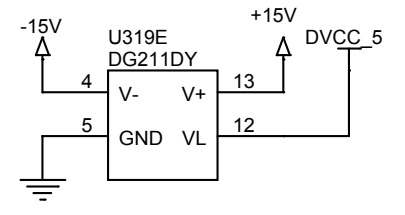
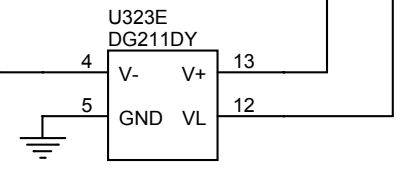
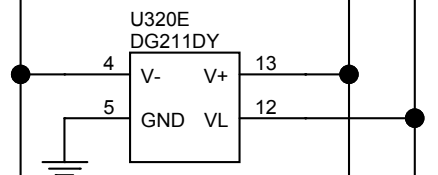
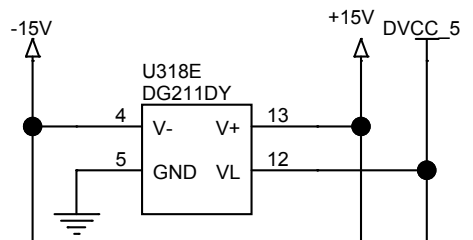
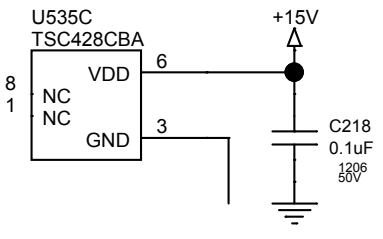
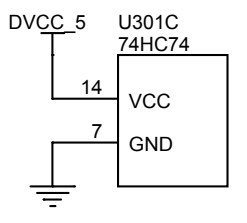
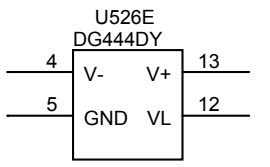
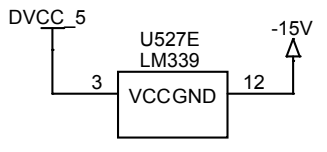
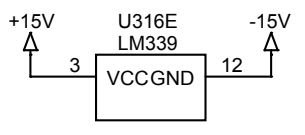
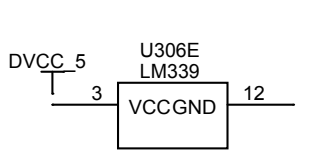
Document Number
Keithley 2001-162-04G, H, J

Rev

0.0

Date: Sunday, January 12, 2014

Sheet 1 of 1



Title		
<Title>		
Size	Document Number	Rev
A	<Doc>	<RevCode>
Date:	Sunday, January 12, 2014	Sheet 1 of 1